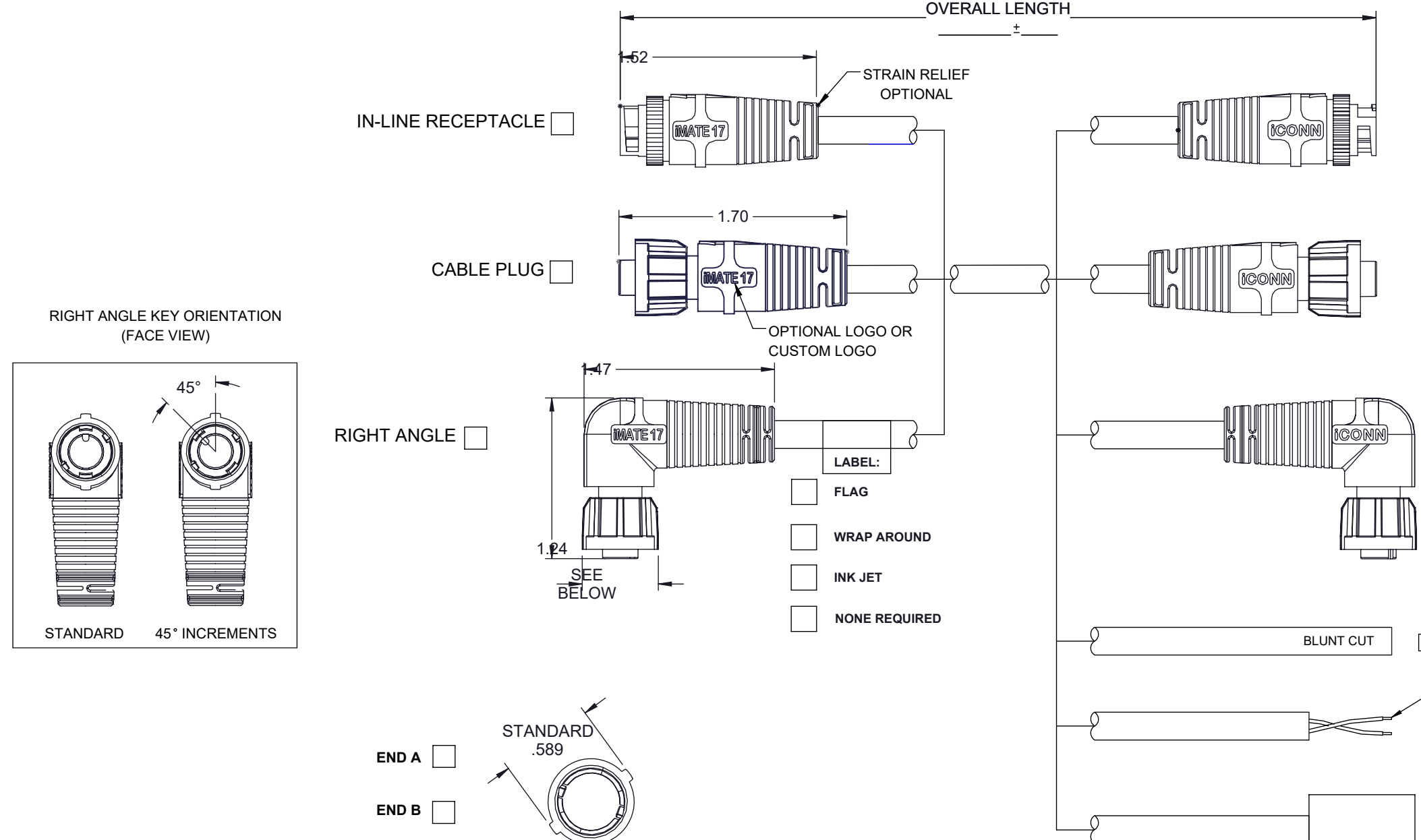


STANDARD TOLERANCES	
OVERALL LENGTH	TOLERANCE
< 6"	+/- .25"
6" - 11"	+/- .50"
11" - 23"	+/- 1"
2.00' - 7.99'	+/- 2"
8.00' - 10.99'	+/- 3"
11.00' - 19.99'	+/- 4"
20.00' - 25.99'	+/- 6"
26.00' - 50.99'	+/- 8"
51.00' - 75.99'	+/- 10"
76.00' - 100.00'	+/- 12"
> 100.00'	+/- 1%

NOTE: TIGHTER TOLERANCES MAY REQUIRE SPECIAL FIXTURING AT ADDITIONAL COST



IN-LINE RECEPTACLE

CABLE PLUG

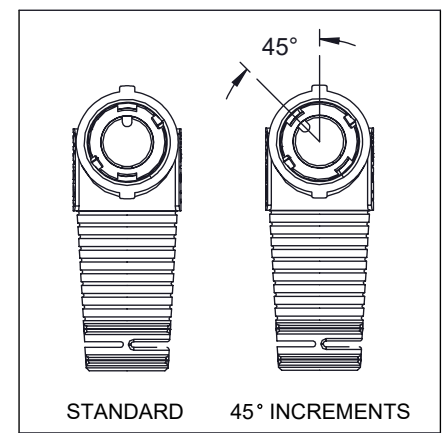
RIGHT ANGLE

BLUNT CUT

- CABLE END PREP:
- JACKET STRIP _____ ±
 - WIRE STRIP _____ ±
 - SLUG: YES NO
 - TIN: YES NO

SECONDARY INTERCONNECTION	
MFG	P/N

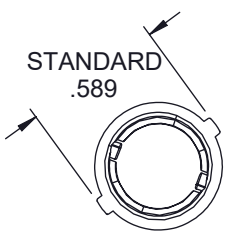
RIGHT ANGLE KEY ORIENTATION (FACE VIEW)



RIGHT ANGLE

END A

END B



- OPTIONAL LOGO OR CUSTOM LOGO
- 1.70
- 47
- 1.24
- SEE BELOW
- LABEL:
- FLAG
 - WRAP AROUND
 - INK JET
 - NONE REQUIRED

CABLE SPECIFICATION

CABLE MFG / PART #:

FILL OUT BELOW IF NO CABLE MFG OR PART #:

JACKET COLOR:

JACKET MATERIAL:

CONDUCTOR SIZE:

STRANDING:

TINNED/BARE:

OF CONDUCTORS:

CONDUCTOR INSULATION:

SHIELD:

DRAIN:

VOLTS:

UL:

CSA:

OTHER:

SPECIAL REQUIREMENTS / LABEL INFO:

OVERMOLD:

OVERMOLD MATERIAL: _____ I.P. RATING: _____

OVERMOLD COLOR: _____ UV RESIST: - YES / NO

PACKAGING SPECS:

- IF LENGTH IS < 3FT. CABLE IS BUNDLED
- IF LENGTH IS > 3FT. CABLE IS COILED WITH I.D. =5" (UNLESS OTHERWISE SPECIFIED)
- MISC:

ALL DIMENSIONS ARE SPECIFIED IN:
IN [MM]

TOLERANCES UNLESS OTHERWISE SPECIFIED:

ENGLISH .XX = ±.02 IN .XXX = ±.010 IN

METRIC .X = ±.2 MM .XX = ±.10 MM

FRACTIONAL = ±1/64" ALL ANGLES = ±5°

THIRD ANGLE PROJECTION

CONFIDENTIALITY NOTICE

THIS DRAWING CONTAINS CONFIDENTIAL INFORMATION AND IS SUPPLIED BY ICONN SYSTEMS, LLC. THE OWNER OF SUCH INFORMATION. IN ACCEPTING THIS DRAWING, THE USER AGREES THAT IT IS FOR THE USER'S SOLE USE, THAT IT WILL NOT BE REPRODUCED OR DISTRIBUTED TO OTHERS, AND THAT THE INFORMATION CONTAINED THEREIN WILL NOT BE USED IN ANY MANNER DETRIMENTAL TO ICONN SYSTEMS.

DESIGNED BY: M. CORTESE DATE: 02-01-22

DESIGN APPROVED BY: R. SMITH DATE: 03-11-22

DRAFTED BY: M. CORTESE DATE: 02-01-22

CHECKED BY: R. SMITH DATE: 03-11-22

DRAWING TITLE: **IMATE 17 SALES OPTIONS**

DRAWING NUMBER: **IMATE 17 TEMPLATE**

DRAWING TYPE: SALES SHEET: 1 OF 2

REV. **A**

A

B

C

D

E

F

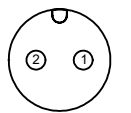
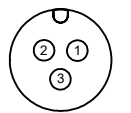
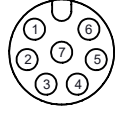
G

H

I

J

PLUG FACE VIEWS*

20 AWG CONTACTS	2 POLE (PIN / SOCKET)	3 POLE (PIN / SOCKET)
		
END A/B		
PIN/SOCKET		
22 AWG CONTACTS	7 POLE (SOCKET ONLY)	
		
END A/B		
PIN/SOCKET		

*NOTE - INLINE PINOUTS ARE MIRRORED

ACCESSORIES / COLORS:

- SEALING CAP/COVER
- SECONDARY SEAL (INLINE ONLY)
- TERMINATOR PLUG (NO CABLE)
- COUPLING RING COLORS:
 - BLACK (STANDARD)
 - BLUE
 - RED
 - GREY

CONNECTOR CHECKLIST:

PAGE 1

- END A STYLE SELECTION
- END B STYLE SELECTION
- LABEL
- STRIP/TIN/SLUG
- OTHER INTERCONNECT
- COUPLING RING STYLE
- CABLE SPECIFICATIONS
- OVERMOLD MATERIAL / COLOR / UV

PAGE 2


- END A PINOUT
- END A GENDER
- END B PINOUT (IF APPLICABLE)
- END B GENDER (IF APPLICABLE)
- WIRING TABLE
- ACCESSORIES/COLORS

WIRE COLOR CODE END "A"

1	2	3	4	5	6	7

WIRE COLOR CODE END "B"

1	2	3	4	5	6	7

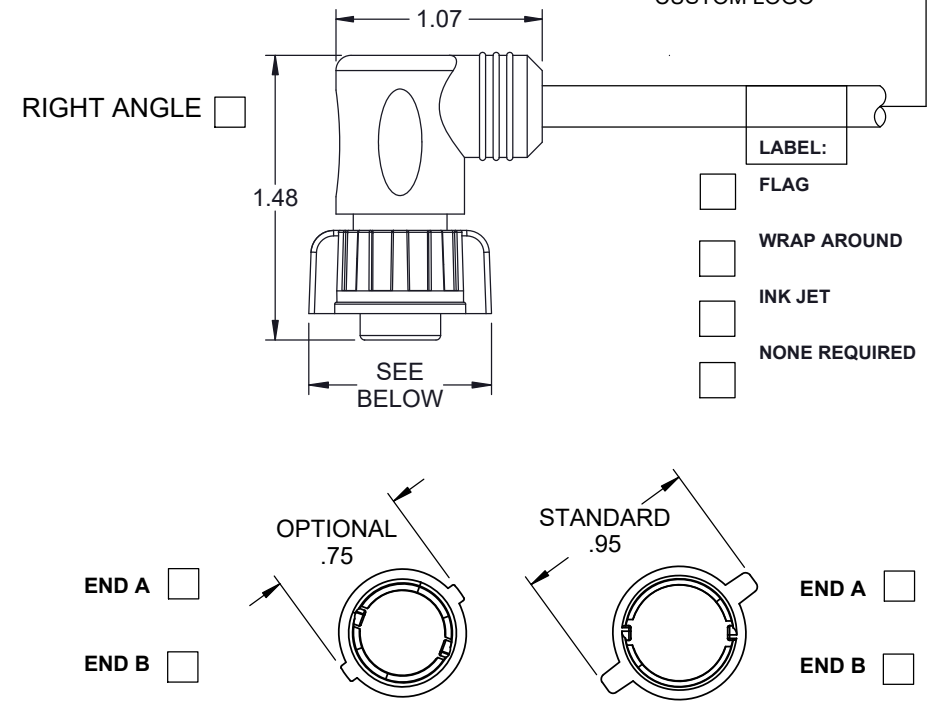
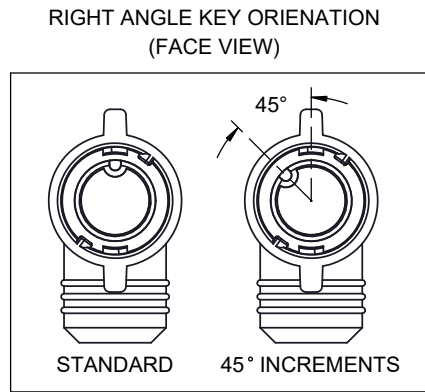
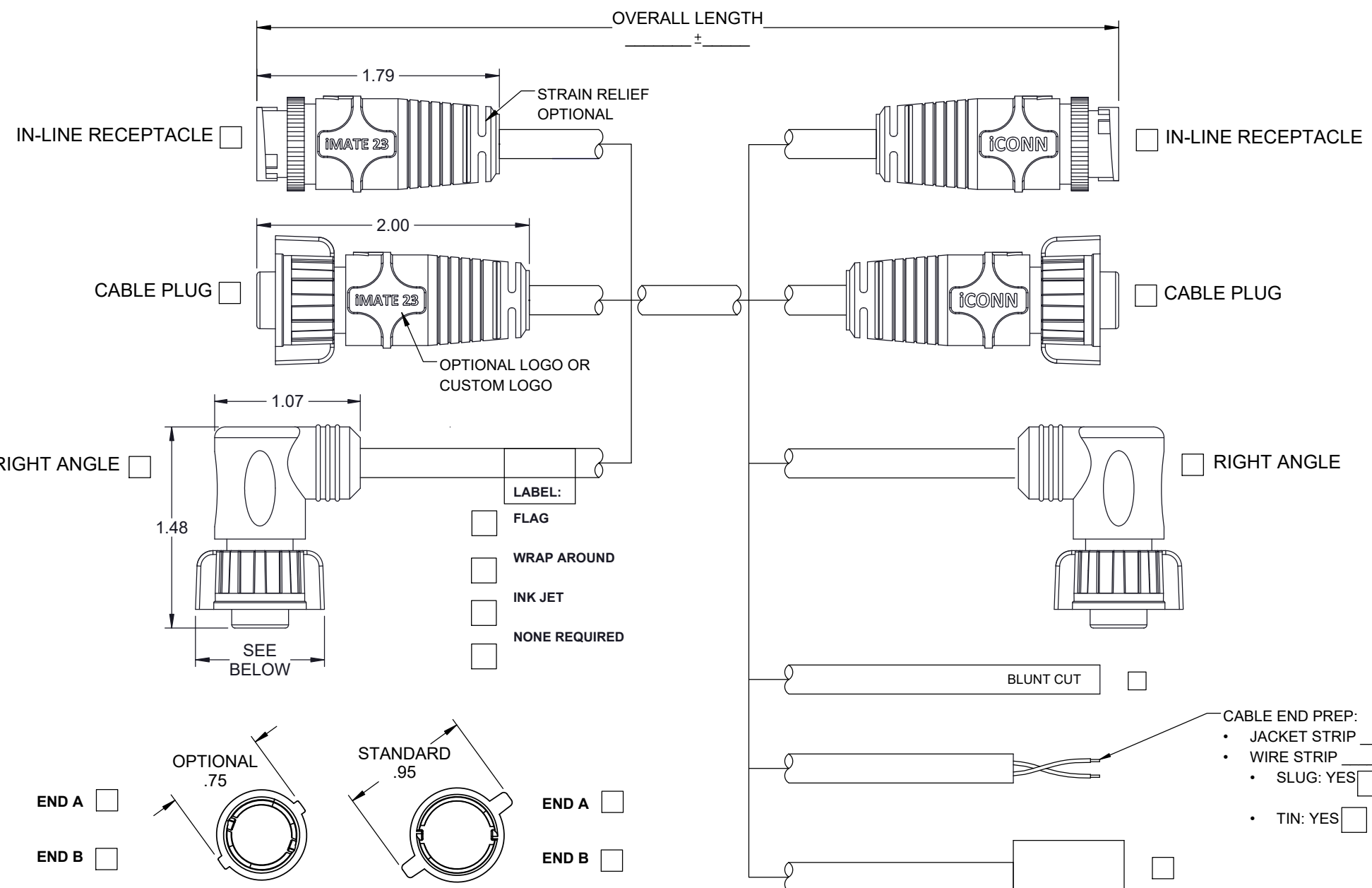
ALL DIMENSIONS ARE SPECIFIED IN: IN [MM]		DESIGNED BY: M. CORTESE	DATE: 02-01-22	 1110 N. GARFIELD ST. LOMBARD, IL 60148 TEL: (630) 827-6000 FAX: (630) 827-6006 ICONNSYSTEMS.COM
TOLERANCES UNLESS OTHERWISE SPECIFIED: ENGLISH .XX = ±.02 IN .XXX = ±.010 IN		DESIGN APPROVED BY: R. SMITH	DATE: 03-11-22	
METRIC .X = ±.2 MM .XX = ±.10 MM		DRAFTED BY: M. CORTESE		DRAWING TITLE: IMATE 17 SALES OPTIONS
FRACTIONAL = ±1/64" ALL ANGLES = ±5°		CHECKED BY: R. SMITH		
CONFIDENTIALITY NOTICE THIS DRAWING CONTAINS CONFIDENTIAL INFORMATION AND IS SUPPLIED BY ICONN SYSTEMS, LLC, THE OWNER OF SUCH INFORMATION. IN ACCEPTING THIS DRAWING, THE USER AGREES THAT IT IS FOR THE USER'S SOLE USE, THAT IT WILL NOT BE REPRODUCED OR DISTRIBUTED TO OTHERS, AND THAT THE INFORMATION CONTAINED THEREIN WILL NOT BE USED IN ANY MANNER DETRIMENTAL TO ICONN SYSTEMS.		DRAWING SCALE: 8:1	DRAWING NUMBER: IMATE 17 TEMPLATE	REV. A
SIZE B	DO NOT SCALE THIS DRAWING	SHEET: 2 OF 2		DRAWING TYPE: SALES

WIRING TABLE LEGEND:

N/T = NOT TERMINATED, N/C = NO CONTACT, M/C = MOLDED CLOSED

STANDARD TOLERANCES	
OVERALL LENGTH	TOLERANCE
< 6"	+/- .25"
6" - 11"	+/- .50"
11" - 23"	+/- 1"
2.00' - 7.99'	+/- 2"
8.00' - 10.99'	+/- 3"
11.00' - 19.99'	+/- 4"
20.00' - 25.99'	+/- 6"
26.00' - 50.99'	+/- 8"
51.00' - 75.99'	+/- 10"
76.00' - 100.00'	+/- 12"
> 100.00'	+/- 1%

NOTE: TIGHTER TOLERANCES MAY REQUIRE SPECIAL FIXTURING AT ADDITIONAL COST



SECONDARY INTERCONNECTION	
MFG	P/N

CABLE SPECIFICATION

CABLE MFG / PART #:

FILL OUT BELOW IF NO CABLE MFG OR PART #:

JACKET COLOR:

JACKET MATERIAL:

CONDUCTOR SIZE:

STRANDING:

TINNED/BARE:

OF CONDUCTORS:

CONDUCTOR INSULATION:

SHIELD:

DRAIN:

VOLTS:

UL:

CSA:

OTHER:

SPECIAL REQUIREMENTS / LABEL INFO:

OVERMOLD:

OVERMOLD MATERIAL: _____ I.P. RATING: _____

OVERMOLD COLOR: _____ UV RESIST: - YES / NO

PACKAGING SPECS:

- IF LENGTH IS < 3FT. CABLE IS BUNDLED
- IF LENGTH IS > 3FT. CABLE IS COILED WITH I.D. =5" (UNLESS OTHERWISE SPECIFIED)
- MISC:

ALL DIMENSIONS ARE SPECIFIED IN:
IN [MM]

TOLERANCES UNLESS OTHERWISE SPECIFIED:
ENGLISH .XX = ±.02 IN .XXX = ±.010 IN
METRIC .X = ± .2 MM .XX = ± .10 MM

FRACTIONAL = ±1/64" ALL ANGLES = ±5°

THIRD ANGLE PROJECTION

CONFIDENTIALITY NOTICE

THIS DRAWING CONTAINS CONFIDENTIAL INFORMATION AND IS SUPPLIED BY ICONN SYSTEMS, LLC. THE OWNER OF SUCH INFORMATION. IN ACCEPTING THIS DRAWING, THE USER AGREES THAT IT IS FOR THE USER'S SOLE USE, THAT IT WILL NOT BE REPRODUCED OR DISTRIBUTED TO OTHERS, AND THAT THE INFORMATION CONTAINED THEREIN WILL NOT BE USED IN ANY MANNER DETRIMENTAL TO ICONN SYSTEMS.

DESIGNED BY: M. CORTESE DATE: 02-01-22

DESIGN APPROVED BY: R. SMITH DATE: 03-11-22

DRAFTED BY: M. CORTESE DATE: 02-01-22

CHECKED BY: R. SMITH DATE: 03-11-22



DRAWING TITLE: **I-MATE 23 SALES OPTIONS**

DRAWING NUMBER: **I-MATE 23 TEMPLATE**

DRAWING TYPE: SALES SHEET: 1 OF 2

REV. **C**

PLUG FACE VIEWS*

2	16 AWG CONTACTS	2 POLE (PIN / SOCKET) 	3 POLE (PIN / SOCKET) 	4 POLE (PIN / SOCKET) 	5 POLE (SOCKET ONLY) 							
	END A/B											
	PIN/SOCKET											
3	20 AWG CONTACTS	2 POLE (PIN / SOCKET) 	3 POLE (PIN / SOCKET) 	4 POLE (PIN / SOCKET) 	5 POLE (PIN / SOCKET) 	6 POLE (PIN / SOCKET) 	7 POLE (SOCKET ONLY) 	8 POLE (SOCKET ONLY) 				
	END A/B											
4	PIN/SOCKET											
5	22 AWG CONTACTS	9 POLE (SOCKET ONLY) 	10 POLE (SOCKET ONLY) 	11 POLE (SOCKET ONLY) 	12 POLE (SOCKET ONLY) 							
	END A/B											
	PIN/SOCKET											

*NOTE - INLINE PINOUTS ARE MIRRORED

ACCESSORIES / COLORS:

- SEALING CAP/COVER
- SECONDARY SEAL (INLINE ONLY)
- TERMINATOR PLUG (NO CABLE)
- COUPLING RING COLORS:
 - BLACK (STANDARD)
 - BLUE
 - RED
 - GREY

CONNECTOR CHECKLIST:

PAGE 1

- END A STYLE SELECTION
- END B STYLE SELECTION
- LABEL
- STRIP/TIN/SLUG
- OTHER INTERCONNECT
- COUPLING RING STYLE
- CABLE SPECIFICATIONS
- OVERMOLD MATERIAL / COLOR / UV

PAGE 2

- END A PINOUT
- END A GENDER
- END B PINOUT (IF APPLICABLE)
- END B GENDER (IF APPLICABLE)
- WIRING TABLE
- ACCESSORIES/COLORS

WIRE COLOR CODE END "A"

1	2	3	4	5	6	7	8	9	10	11	12
---	---	---	---	---	---	---	---	---	----	----	----

WIRE COLOR CODE END "B"

1	2	3	4	5	6	7	8	9	10	11	12
---	---	---	---	---	---	---	---	---	----	----	----

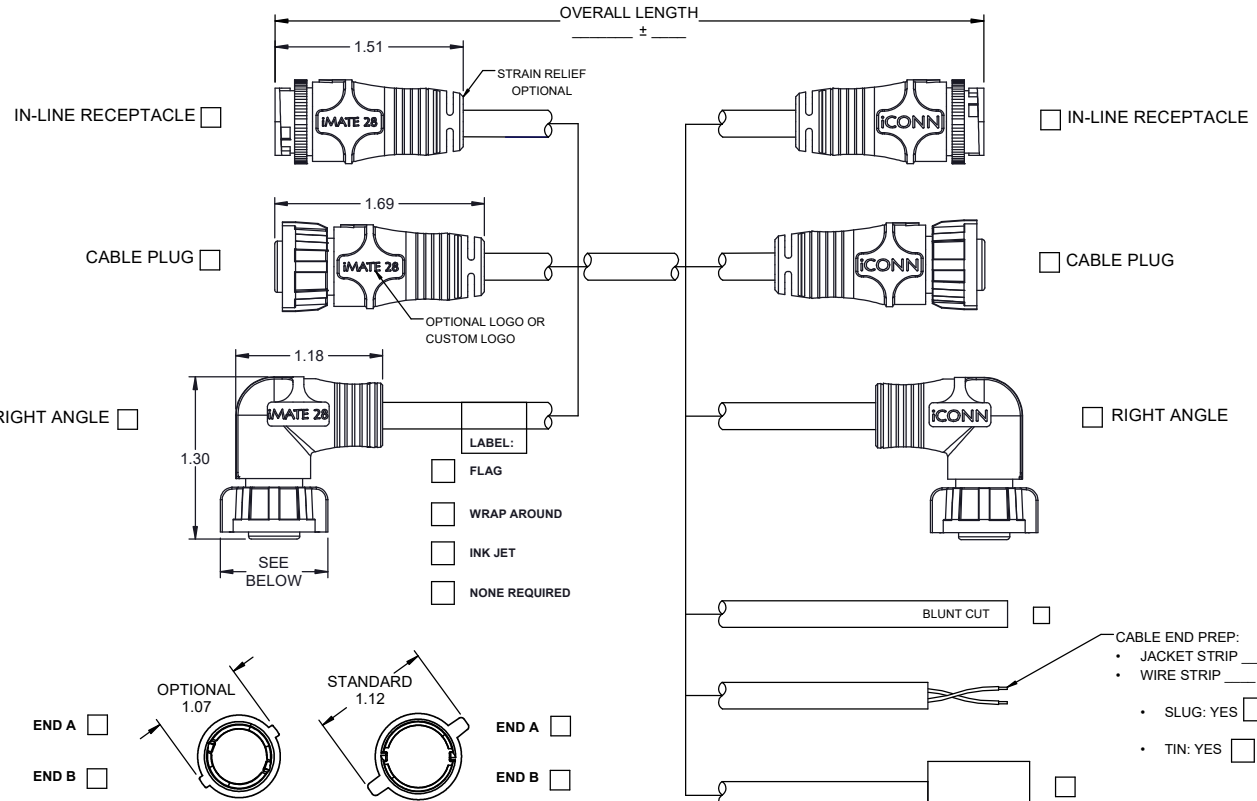
ALL DIMENSIONS ARE SPECIFIED IN: IN [MM] TOLERANCES UNLESS OTHERWISE SPECIFIED: ENGLISH .XX = ±.02 IN .XXX = ±.010 IN METRIC .X = ±.2 MM .XX = ±.10 MM FRACTIONAL = ±1/64" ALL ANGLES = ±5° 		DESIGNED BY: M. CORTESE DATE: 02-01-22 DESIGN APPROVED BY: R. SMITH DATE: 03-11-22 DRAFTED BY: M. CORTESE DATE: 02-01-22 CHECKED BY: R. SMITH DATE: 03-11-22	 1110 N. GARFIELD ST. LOMBARD, IL 60148 TEL: (630) 827-6000 FAX: (630) 827-6006 ICONNSYSTEMS.COM DRAWING TITLE: IMATE 23 SALES OPTIONS
CONFIDENTIALITY NOTICE THIS DRAWING CONTAINS CONFIDENTIAL INFORMATION AND IS SUPPLIED BY ICONN SYSTEMS, LLC. THE OWNER OF SUCH INFORMATION, IN ACCEPTING THIS DRAWING, THE USER AGREES THAT IT IS FOR THE USER'S SOLE USE, THAT IT WILL NOT BE REPRODUCED OR DISTRIBUTED TO OTHERS, AND THAT THE INFORMATION CONTAINED THEREIN WILL NOT BE USED IN ANY MANNER DETRIMENTAL TO ICONN SYSTEMS.		SIZE: B DO NOT SCALE THIS DRAWING DRAWING SCALE: 8:1	DRAWING NUMBER: IMATE 23 TEMPLATE REV. A DRAWING TYPE: SALES SHEET: 2 OF 2

WIRING TABLE LEGEND:
 N/T = NOT TERMINATED, N/C = NO CONTACT, M/C = MOLDED CLOSED

A B C D E F G H I J

STANDARD TOLERANCES	
OVERALL LENGTH	TOLERANCE
< 6"	+/- .25"
6" - 11"	+/- .50"
11" - 23"	+/- 1"
2.00' - 7.99'	+/- 2"
8.00' - 10.99'	+/- 3"
11.00' - 19.99'	+/- 4"
20.00' - 25.99'	+/- 6"
26.00' - 50.99'	+/- 8"
51.00' - 75.99'	+/- 10"
76.00' - 100.00'	+/- 12"
> 100.00'	+/- 1%

NOTE: TIGHTER TOLERANCES MAY REQUIRE SPECIAL FIXTURING AT ADDITIONAL COST



CABLE SPECIFICATION

CABLE MFG / PART #:

FILL OUT BELOW IF NO CABLE MFG OR PART #:

JACKET COLOR:

JACKET MATERIAL:

CONDUCTOR SIZE:

STRANDING:

TINNED/BARE:

OF CONDUCTORS:

CONDUCTOR INSULATION:

SHIELD:

DRAIN:

VOLTS:

UL:

CSA:

OTHER:

SPECIAL REQUIREMENTS / LABEL INFO:

OVERMOLD:

OVERMOLD MATERIAL: _____ I.P. RATING: _____

OVERMOLD COLOR: _____ UV RESIST: - YES / NO

PACKAGING SPECS:

- IF LENGTH IS < 3FT. CABLE IS BUNDLED
- IF LENGTH IS > 3FT. CABLE IS COILED WITH I.D. =5" (UNLESS OTHERWISE SPECIFIED)
- MISC:

ALL DIMENSIONS ARE SPECIFIED IN:
IN [MM]

TOLERANCES UNLESS OTHERWISE SPECIFIED:
ENGLISH XX = ±0.02 IN XXX = ±0.10 IN
METRIC X = ± 0.2 MM XX = ± 0.10 MM

FRACTIONAL = ±1/64" ALL ANGLES = ±5°

THIRD ANGLE PROJECTION

CONFIDENTIALITY NOTICE

THIS DRAWING CONTAINS CONFIDENTIAL INFORMATION AND IS SUPPLIED BY ICONN SYSTEMS, LLC. THE OWNER OF SUCH INFORMATION, IN ACCEPTING THIS DRAWING, THE USER AGREES THAT IT IS FOR THE USER'S SOLE USE, THAT IT WILL NOT BE REPRODUCED OR DISTRIBUTED TO OTHERS, AND THAT THE INFORMATION CONTAINED THEREIN WILL NOT BE USED IN ANY MANNER DETRIMENTAL TO ICONN SYSTEMS.

DESIGNED BY: M. CORTESE DATE: 02-01-22

DESIGN APPROVED BY: R. SMITH DATE: 03-11-22

DRAFTED BY: M. CORTESE DATE: 02-01-22

CHECKED BY: R. SMITH DATE: 03-11-22

SIZE: **B**

DO NOT SCALE THIS DRAWING

DRAWING SCALE: **8:1**

iconn an R2M co. SYSTEMS, LLC
1110 N. GARFIELD ST. LOMBARD, IL 60148
TEL: (630) 927-6000 FAX: (630) 927-6006
ICONNSYSTEMS.COM

DRAWING TITLE: **IMATE 28 SALES OPTIONS**

DRAWING NUMBER: **IMATE 28 TEMPLATE**

DRAWING TYPE: SALES SHEET: 1 OF 2

REV. **A**

WIRING TABLE LEGEND:
N/T = NOT TERMINATED, N/C = NO CONTACT, M/C = MOLDED CLOSED

PLUG FACE VIEWS *

12 AWG CONTACTS	2 POLE (PIN / SOCKET)	3 POLE (PIN / SOCKET)	4 POLE (PIN / SOCKET)						
	END A/B								
PIN/SOCKET									
16 AWG CONTACTS	4 POLE (PIN / SOCKET)	5 POLE (PIN / SOCKET)	6 POLE (PIN / SOCKET)						
	END A/B								
PIN/SOCKET									
20 AWG CONTACTS	4 POLE (PIN / SOCKET)	5 POLE (PIN / SOCKET)	6 POLE (PIN / SOCKET)	7 POLE (PIN / SOCKET)	8 POLE (PIN / SOCKET)	9 POLE (PIN / SOCKET)	10 POLE (SOCKET ONLY)	12 POLE (SOCKET ONLY)	14 POLE (SOCKET ONLY)
	END A/B								
PIN/SOCKET									

*NOTE - INLINE PINOUTS ARE MIRRORED

ACCESSORIES / COLORS:

- SEALING CAP/COVER
- SECONDARY SEAL (INLINE ONLY)
- TERMINATOR PLUG (NO CABLE)
- COUPLING RING COLORS:
 - BLACK (STANDARD)
 - BLUE
 - RED
 - GREY

WIRE COLOR CODE END "A"

1	2	3	4	5	6	7	8	9	10	11	12	13	14

WIRE COLOR CODE END "B"

1	2	3	4	5	6	7	8	9	10	11	12	13	14

WIRING TABLE LEGEND:

N/T = NOT TERMINATED, N/C = NO CONTACT, M/C = MOLDED CLOSED

CONNECTOR CHECKLIST:

PAGE 1

- END A STYLE SELECTION
- END B STYLE SELECTION
- LABEL
- STRIP/TIN/SLUG
- OTHER INTERCONNECT
- COUPLING RING STYLE
- CABLE SPECIFICATIONS
- OVERMOLD MATERIAL / COLOR / UV

PAGE 2

- END A PINOUT
- END A GENDER
- END B PINOUT (IF APPLICABLE)
- END B GENDER (IF APPLICABLE)
- WIRING TABLE
- ACCESSORIES/COLORS

ALL DIMENSIONS ARE SPECIFIED IN:

IN [MM]	
TOLERANCES UNLESS OTHERWISE SPECIFIED:	
ENGLISH XX = ±0.01 IN XXX = ±0.010 IN	
METRIC X = ± 0.2 MM XX = ± 0.10 MM	

CONFIDENTIALITY NOTICE

THIS DRAWING CONTAINS CONFIDENTIAL INFORMATION AND IS SUPPLIED BY ICONN SYSTEMS, LLC. THE OWNER OF SUCH INFORMATION, IN ACCEPTING THIS DRAWING, THE USER AGREES THAT IT IS FOR THE USER'S SOLE USE, THAT IT WILL NOT BE REPRODUCED OR DISTRIBUTED TO OTHERS, AND THAT THE INFORMATION CONTAINED THEREIN WILL NOT BE USED IN ANY MANNER DETRIMENTAL TO ICONN SYSTEMS.

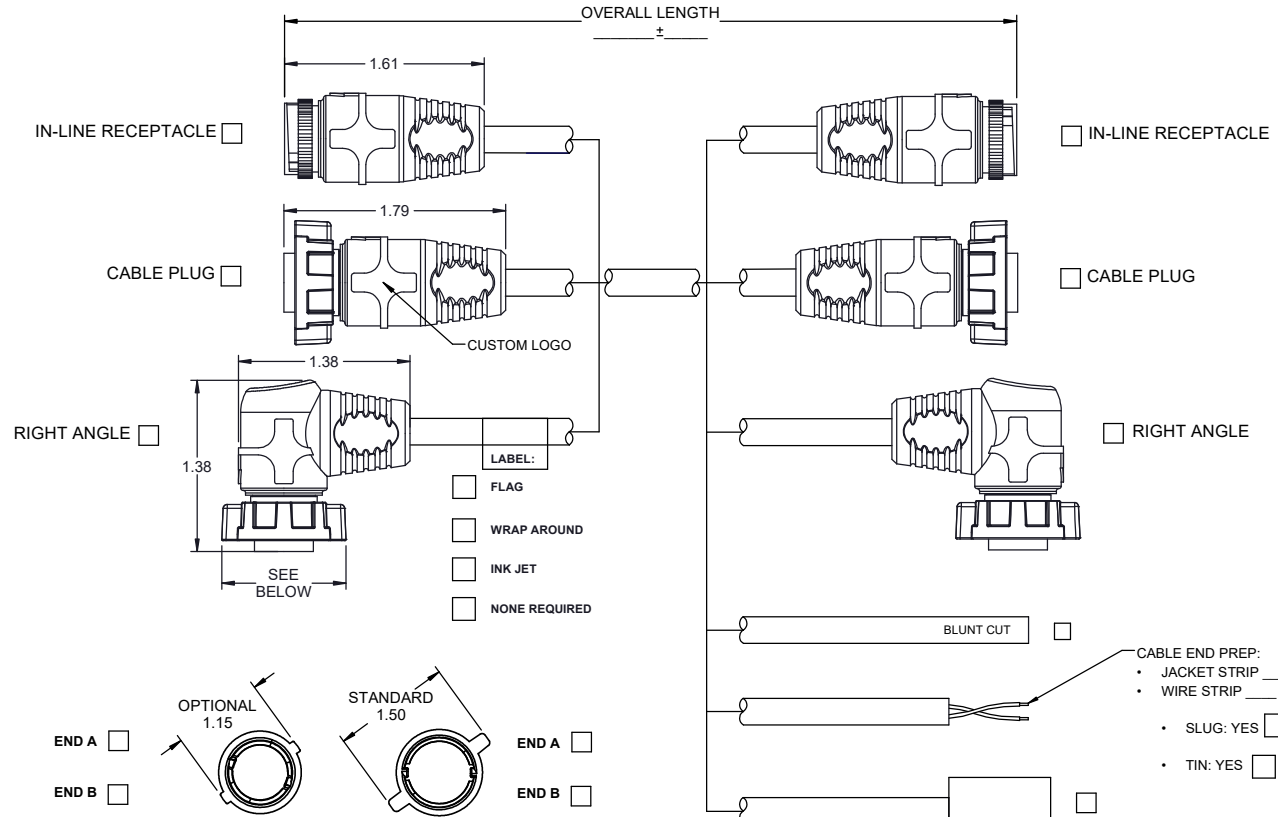
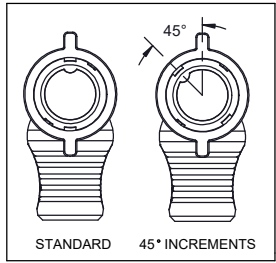
DESIGNED BY: M. CORTESE	DATE: 02-01-22	
DESIGN APPROVED BY: R. SMITH	DATE: 03-11-22	
DRAFTED BY: M. CORTESE	DATE: 02-01-22	DRAWING TITLE: IMATE 28 SALES OPTIONS
CHECKED BY: R. SMITH	DATE: 03-11-22	DRAWING NUMBER: IMATE 28 TEMPLATE
SIZE: B	DO NOT SCALE THIS DRAWING	REVISION: A
DRAWING SCALE: 8:1	DRAWING TYPE: SALES	SHEET: 2 OF 2

A B C D E F G H I J

STANDARD TOLERANCES	
OVERALL LENGTH	TOLERANCE
< 6"	+/- .25"
6" - 11"	+/- .50"
11" - 23"	+/- 1"
2.00' - 7.99'	+/- 2"
8.00' - 10.99'	+/- 3"
11.00' - 19.99'	+/- 4"
20.00' - 25.99'	+/- 6"
26.00' - 50.99'	+/- 8"
51.00' - 75.99'	+/- 10"
76.00' - 100.00'	+/- 12"
> 100.00'	+/- 1%

NOTE: TIGHTER TOLERANCES MAY REQUIRE SPECIAL FIXTURING AT ADDITIONAL COST

RIGHT ANGLE KEY ORIENTATION (FACE VIEW)



- LABEL:
- FLAG
- WRAP AROUND
- INK JET
- NONE REQUIRED

- CABLE END PREP:
- JACKET STRIP _____ ±
 - WIRE STRIP _____ ±
 - SLUG: YES NO
 - TIN: YES NO

SECONDARY INTERCONNECTION	
MFG	P/N

CABLE SPECIFICATION	
CABLE MFG / PART #:	
FILL OUT BELOW IF NO CABLE MFG OR PART #:	
JACKET COLOR:	
JACKET MATERIAL:	
CONDUCTOR SIZE:	
STRANDING:	
TINNED/BARE:	
# OF CONDUCTORS:	
CONDUCTOR INSULATION:	
SHIELD:	
DRAIN:	
VOLTS:	
UL:	
CSA:	
OTHER:	

SPECIAL REQUIREMENTS / LABEL INFO:	
OVERMOLD:	
OVERMOLD MATERIAL:	
OVERMOLD COLOR:	
I.P. RATING:	
UV RESIST: - YES / NO	
PACKAGING SPECS:	
1. IF LENGTH IS < 3FT. CABLE IS BUNDLED	
2. IF LENGTH IS > 3FT. CABLE IS COILED WITH I.D. =5" (UNLESS OTHERWISE SPECIFIED)	
3. MISC:	

ALL DIMENSIONS ARE SPECIFIED IN:
IN [MM]

TOLERANCES UNLESS OTHERWISE SPECIFIED:
ENGLISH XX = ±0.02 IN XXX = ±0.10 IN
METRIC X = ± 0.2 MM XX = ± 0.10 MM

FRACTIONAL = ±1/64"
ALL ANGLES = ±5°

THIRD ANGLE PROJECTION

CONFIDENTIALITY NOTICE

THIS DRAWING CONTAINS CONFIDENTIAL INFORMATION AND IS SUPPLIED BY ICONN SYSTEMS, LLC. THE OWNER OF SUCH INFORMATION, IN ACCEPTING THIS DRAWING, THE USER AGREES THAT IT IS FOR THE USER'S SOLE USE, THAT IT WILL NOT BE REPRODUCED OR DISTRIBUTED TO OTHERS, AND THAT THE INFORMATION CONTAINED THEREIN WILL NOT BE USED IN ANY MANNER DETRIMENTAL TO ICONN SYSTEMS.

DESIGNED BY:	M. CORTESE	DATE:	02-01-22
DESIGN APPROVED BY:	R. SMITH	DATE:	03-11-22
DRAFTED BY:	M. CORTESE	DATE:	02-01-22
CHECKED BY:	R. SMITH	DATE:	03-11-22
SIZE:	B	DRAWING SCALE:	8:1
DO NOT SCALE THIS DRAWING			

iconn an R2M co. SYSTEMS, LLC
1110 N. GARFIELD ST. LOMBARD, IL 60148
TEL: (630) 927-6000 FAX: (630) 927-6006
ICONNSYSTEMS.COM

DRAWING TITLE: **IMATE 36 SALES OPTIONS**

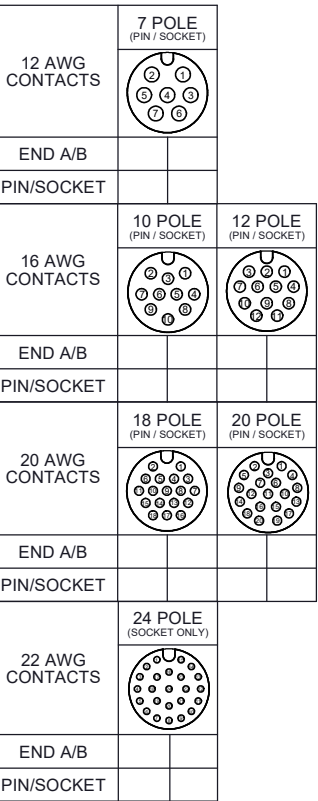
DRAWING NUMBER: **IMATE 36 TEMPLATE**

DRAWING TYPE: SALES SHEET: 1 OF 2

REV. **A**

WIRING TABLE LEGEND:
N/T = NOT TERMINATED, N/C = NO CONTACT, M/C = MOLDED CLOSED

PLUG FACE VIEWS *



*NOTE - INLINE PINOUTS ARE MIRRORED

ACCESSORIES / COLORS:

- SEALING CAP/COVER
- SECONDARY SEAL (INLINE ONLY)
- TERMINATOR PLUG (NO CABLE)
- COUPLING RING COLORS:
 - BLACK (STANDARD)
 - BLUE
 - RED
 - GREY

CONNECTOR CHECKLIST: PAGE 1

- END A STYLE SELECTION
- END B STYLE SELECTION
- LABEL
- STRIP/TIN/SLUG
- OTHER INTERCONNECT
- COUPLING RING STYLE
- CABLE SPECIFICATIONS
- OVERMOLD MATERIAL / COLOR / UV

PAGE 2

- END A PINOUT
- END A GENDER
- END B PINOUT (IF APPLICABLE)
- END B GENDER (IF APPLICABLE)
- WIRING TABLE
- ACCESSORIES/COLORS



WIRE COLOR CODE END "A"

1	2	3	4	5	6	7	8	9	10	11	12
13	14	15	16	17	18	19	20	21	22	23	24

WIRE COLOR CODE END "B"

1	2	3	4	5	6	7	8	9	10	11	12
13	14	15	16	17	18	19	20	21	22	23	24

WIRING TABLE LEGEND:
N/T = NOT TERMINATED, N/C = NO CONTACT, M/C = MOLDED CLOSED

ALL DIMENSIONS ARE SPECIFIED IN: IN [MM] TOLERANCES UNLESS OTHERWISE SPECIFIED: ENGLISH XX = ±0.02 IN XXX = ±0.10 IN METRIC X = ± 0.2 MM XX = ± 0.10 MM  THIRD ANGLE PROJECTION	DESIGNED BY: M. CORTESE	DATE: 02-01-22	 1110 N. GARFIELD ST. LOMBARD, IL 60148 TEL: (630) 927-6000 FAX: (630) 927-6006 iconnSYSTEMS.COM
	DESIGN APPROVED BY: R. SMITH	DATE: 03-11-22	
CONFIDENTIALITY NOTICE THIS DRAWING CONTAINS CONFIDENTIAL INFORMATION AND IS SUPPLIED BY ICONN SYSTEMS, LLC. THE OWNER OF SUCH INFORMATION, IN ACCEPTING THIS DRAWING, THE USER AGREES THAT IT IS FOR THE USER'S SOLE USE. THAT IT WILL NOT BE REPRODUCED OR DISTRIBUTED TO OTHERS, AND THAT THE INFORMATION CONTAINED THEREIN WILL NOT BE USED IN ANY MANNER DETRIMENTAL TO ICONN SYSTEMS.	DRAFTED BY: M. CORTESE	DATE: 02-01-22	DRAWING NUMBER: IMATE 36 TEMPLATE
	CHECKED BY: R. SMITH	DATE: 03-11-22	
SIZE B	DO NOT SCALE THIS DRAWING	DRAWING SCALE: 2:1	DRAWING TYPE: SALES SHEET: 2 OF 2