

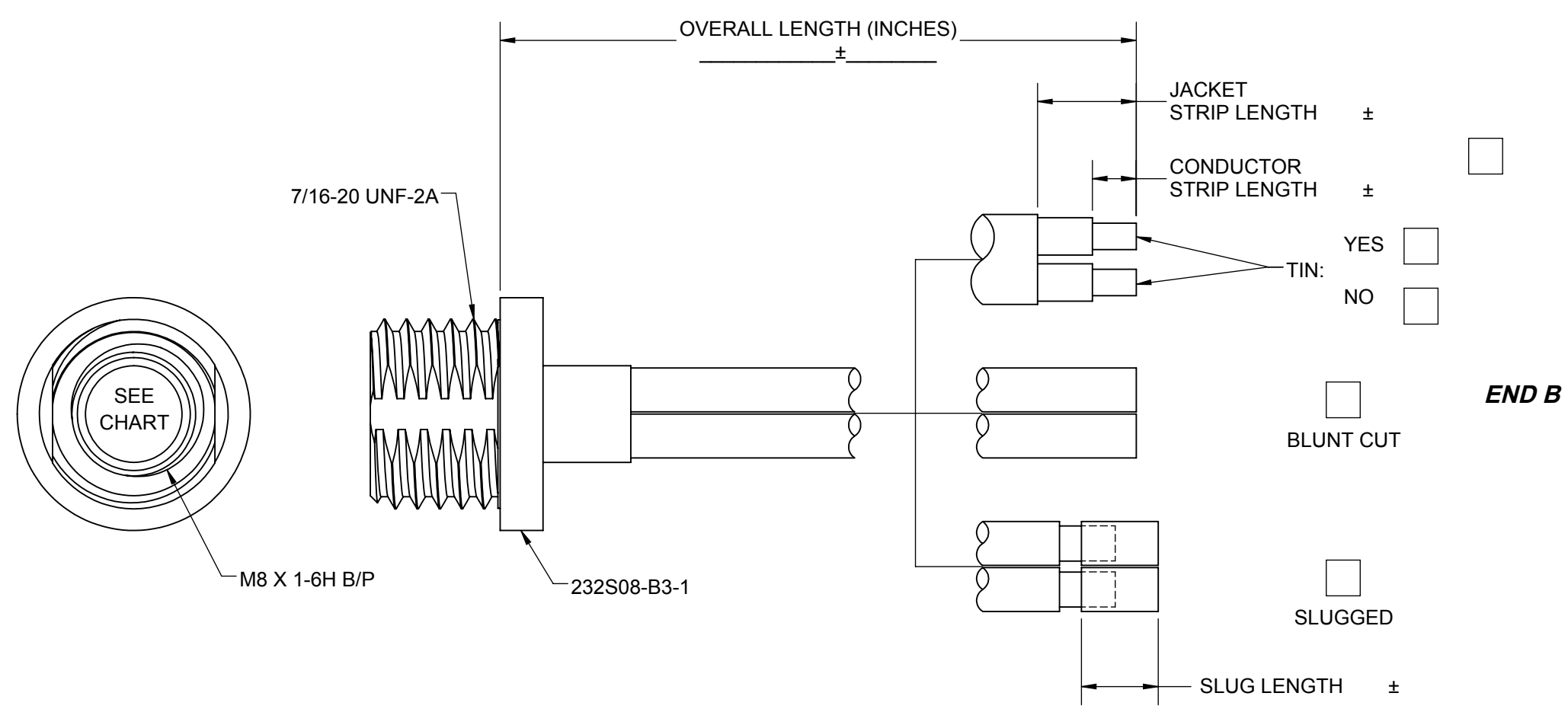
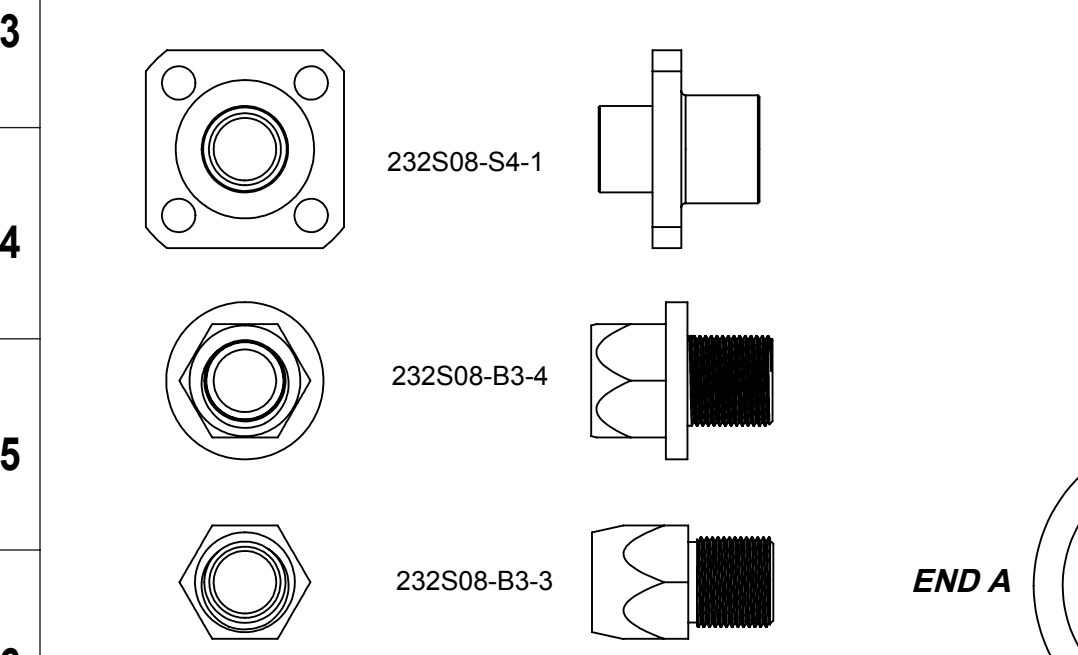
	A	B	C	D	E	F	G	H	I	J
1	FEMALE CONFIGURATIONS (23AWG)				FEMALE CONFIGURATIONS (20 AWG)					
	# OF CONTACTS	2	4	6	# OF CONTACTS	2	3	4		
2	FEMALE (FACE VIEW)				FEMALE (FACE VIEW)					
	PART NUMBER	330K08-F02B2-X	330K08-F04B2-X	330K08-F06B2-X	PART NUMBER	330K08-C02B2-1	330K08-C03B2-1	330K08-C04B2-1		

LABEL:

FLAG

WRAP AROUND

NONE REQUIRED



- NOTES:**
- MATERIALS:**
 - INSERT: PVC
 - HOUSING: BRASS / NICKEL PLATED -OR- STAINLESS STEEL
 - CONTACTS : COPPER ALLOY, GOLD / NICKEL PLATED
 - PRODUCT PERFORMANCE:**
 - SEALING: UP TO IP67 RATING
 - VOLTAGE: UP TO 300V
 - WIRE SIZE SEE CONFIGURATION TABLE
 - MOUNTING HARDWARE AND GASKET ARE NOT SHOWN**

REQUIRED SECONDARY INTERCONNECTIONS :

ALL DIMENSIONS ARE SPECIFIED IN: IN [MM]		DESIGNED BY: A.ALSAADI	DATE: 6-12-17	 1110 N. GARFIELD ST. LOMBARD, IL 60148 TEL: (630) 827-6000 FAX: (630) 827-6006 ICONNSYSTEMS.COM
TOLERANCES UNLESS OTHERWISE SPECIFIED: ENGLISH .XX = ±.02 IN .XXX = ±.010 IN METRIC .X = ±.5 MM .XX = ±.25 MM FRACTIONAL = ±1/32" ALL ANGLES = ±10°		DESIGN APPROVED BY: T.CZYZ	DATE: 6-12-17	
THIRD ANGLE PROJECTION		DRAFTED BY: A.ALSAADI	DATE: 6-12-17	
CONFIDENTIALITY NOTICE THIS DRAWING CONTAINS CONFIDENTIAL INFORMATION AND IS SUPPLIED BY ICONN SYSTEMS, LLC. THE OWNER OF SUCH INFORMATION. IN ACCEPTING THIS DRAWING, THE USER AGREES THAT IT IS FOR THE USER'S SOLE USE, THAT IT WILL NOT BE REPRODUCED OR DISTRIBUTED TO OTHERS, AND THAT THE INFORMATION CONTAINED THEREIN WILL NOT BE USED IN ANY MANNER DETRIMENTAL TO ICONN SYSTEMS.		CHECKED BY: T.CZYZ	DATE: 6-12-17	

SIZE B	DO NOT SCALE THIS DRAWING	DRAWING SCALE: 2:1	DRAWING NUMBER: i8 FEMALE RECEPTACLE	REV. A
-------------------------	----------------------------------	-------------------------------------	---	-------------------------

DRAWING TYPE: SALES SHEET: 1 OF 1

WIRE COLOR CODE END A

POSITION	1	2	3	4	5	6
COLOR						

WIRING TABLE LEGEND:
 N/T = NOT TERMINATED, N/C = NO CONTACT, M/C = MOLDED CLOSED



	A	B	C	D	E	F	G	H	I	J
1	MALE CONFIGURATIONS (23AWG)				MALE CONFIGURATIONS (20 AWG)					
	# OF CONTACTS	2	4		# OF CONTACTS	2	3	4		
2	MALE (FACE VIEW)				MALE (FACE VIEW)					
	PART NUMBER	331K08-F02B2-1	331K08-F04B2-1		PART NUMBER	331K08-C02B2-1	331K08-C03B2-1	331K08-C04B2-1		

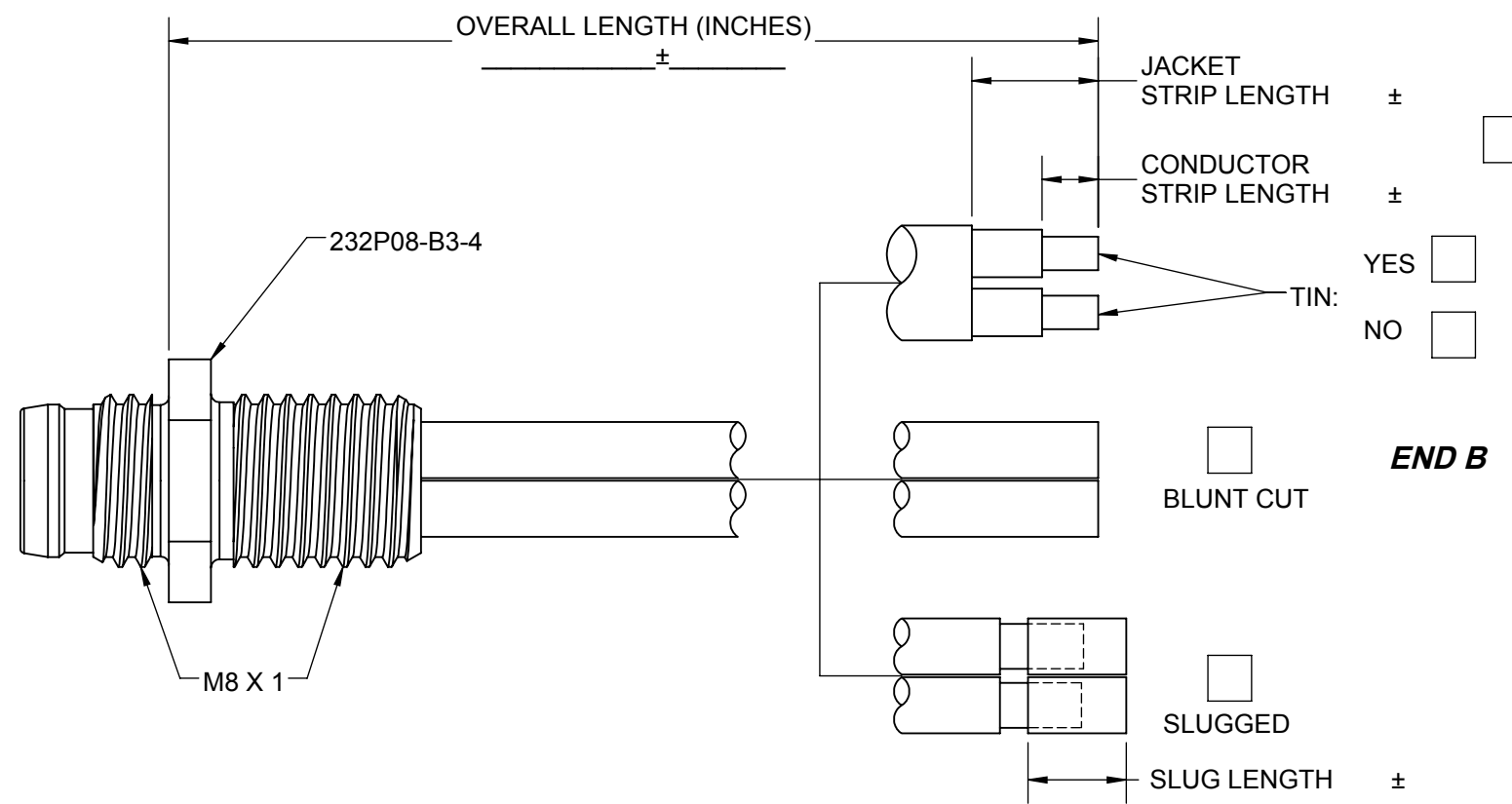
LABEL:

FLAG

WRAP AROUND

NONE REQUIRED

3		232P08-B3-1		232P08-B3-9
4		232P08-B3-2		232P08-B3-10
5		232P08-B3-3		
6		232P08-B3-6		
7		232P08-B3-7		
7		232P08-B3-8		232P08-B3-11



- 8 NOTES:**
- MATERIALS:**
 - INSERT: PVC
 - HOUSING: BRASS / NICKEL PLATED -OR- STAINLESS STEEL
 - CONTACTS : COPPER ALLOY, GOLD / NICKEL PLATED
 - PRODUCT PERFORMANCE:**
 - SEALING: UP TO IP67 RATING
 - VOLTAGE: UP TO 300V
 - WIRE SIZE SEE CONFIGURATION TABLE
 - MOUNTING HARDWARE AND GASKET ARE NOT SHOWN**

9 WIRE COLOR CODE END A

POSITION	1	2	3	4	5	6
COLOR						

REQUIRED SECONDARY INTERCONNECTIONS :

ALL DIMENSIONS ARE SPECIFIED IN:
IN [MM]

TOLERANCES UNLESS OTHERWISE SPECIFIED:
ENGLISH .XX = ±.02 IN .XXX = ±.010 IN
METRIC .X = ±.5 MM .XX = ±.25 MM

FRACTIONAL = ±1/32" ALL ANGLES = ±10°

THIRD ANGLE PROJECTION

DESIGNED BY: A.ALSAADI DATE: 6-12-17
 DESIGN APPROVED BY: T.CZYZ DATE: 6-12-17
 DRAFTED BY: A.ALSAADI DATE: 6-12-17
 CHECKED BY: T.CZYZ DATE: 6-12-17

iconn an R2M co. SYSTEMS, LLC
 1110 N. GARFIELD ST. LOMBARD, IL 60148
 TEL: (630) 827-6000 FAX: (630) 827-6006
ICONNSYSTEMS.COM

DRAWING TITLE:
i8 MALE RECEPTACLE SALES OPTIONS



CONFIDENTIALITY NOTICE

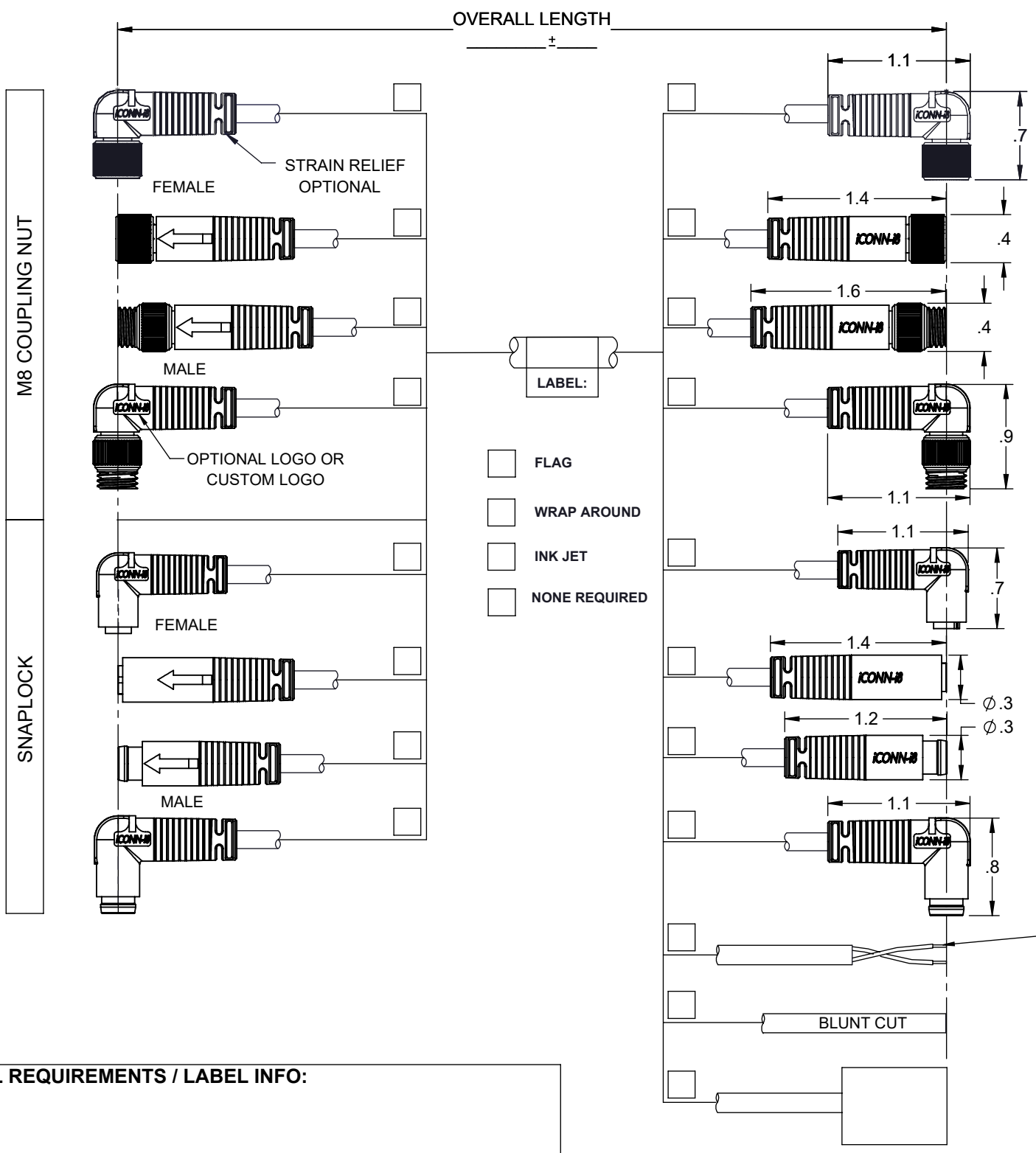
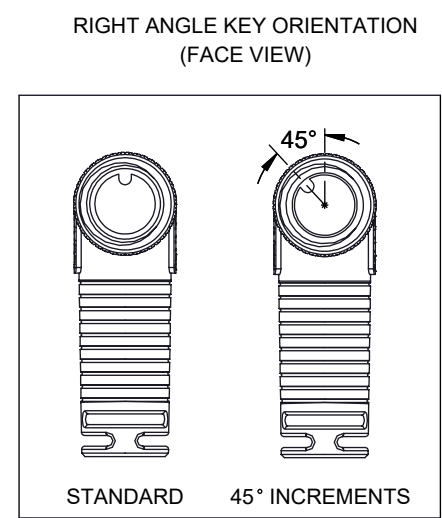
THIS DRAWING CONTAINS CONFIDENTIAL INFORMATION AND IS SUPPLIED BY ICONN SYSTEMS, LLC, THE OWNER OF SUCH INFORMATION. IN ACCEPTING THIS DRAWING, THE USER AGREES THAT IT IS FOR THE USER'S SOLE USE, THAT IT WILL NOT BE REPRODUCED OR DISTRIBUTED TO OTHERS, AND THAT THE INFORMATION CONTAINED THEREIN WILL NOT BE USED IN ANY MANNER DETRIMENTAL TO ICONN SYSTEMS.

SIZE **B** DO NOT SCALE THIS DRAWING DRAWING SCALE: **2:1**

DRAWING NUMBER: **i8 MALE RECEPTACLE** REV. **A**
 DRAWING TYPE: SALES SHEET: 1 OF 1

STANDARD TOLERANCES	
OVERALL LENGTH	TOLERANCE
< 6"	+/- .25"
6" - 11"	+/- .50"
11" - 23"	+/- 1"
2.00' - 7.99'	+/- 2"
8.00' - 10.99'	+/- 3"
11.00' - 19.99'	+/- 4"
20.00' - 25.99'	+/- 6"
26.00' - 50.99'	+/- 8"
51.00' - 75.99'	+/- 10"
76.00' - 100.00'	+/- 12"
> 100.00'	+/- 1%

NOTE: TIGHTER TOLERANCES MAY REQUIRE SPECIAL FIXTURING AT ADDITIONAL COST



CABLE END PREP:
 • JACKET STRIP ___±___ · SLUG: YES NO
 • WIRE STRIP ___±___ · TIN: YES NO

SECONDARY INTERCONNECTION	
MFG	P/N

1
2
3
4
5
6
7
8
9
10

CABLE SPECIFICATION	
CABLE MFG / PART #:	
FILL OUT BELOW IF <u>NO</u> CABLE MFG OR PART #:	
JACKET COLOR:	SPECIAL REQUIREMENTS / LABEL INFO:
JACKET MATERIAL:	
CONDUCTOR SIZE:	
STRANDING:	OVERMOLD: OVERMOLD MATERIAL: _____ I.P. RATING: _____ OVERMOLD COLOR: _____ UV RESIST: - YES / NO
TINNED/BARE:	
# OF CONDUCTORS:	PACKAGING SPECS: 1. IF LENGTH IS < 3FT. CABLE IS BUNDLED 2. IF LENGTH IS > 3FT. CABLE IS COILED WITH I.D. =5" (UNLESS OTHERWISE SPECIFIED) 3. MISC:
CONDUCTOR INSULATION:	
SHIELD:	
DRAIN:	DESIGNED BY: X.XXXXXX DATE: XX-XX-XX DESIGN APPROVED BY: X.XXXXXX DATE: XX-XX-XX DRAFTED BY: A. HERNANDEZ DATE: 01-04-23 CHECKED BY: E. FREEMON DATE: 01-04-23
VOLTS:	
UL:	
CSA:	DRAWING TITLE: i8 SALES OPTIONS
OTHER:	

OVERMOLD:	
OVERMOLD MATERIAL: _____	I.P. RATING: _____
OVERMOLD COLOR: _____	UV RESIST: - YES / NO
PACKAGING SPECS:	
1. IF LENGTH IS < 3FT. CABLE IS BUNDLED	
2. IF LENGTH IS > 3FT. CABLE IS COILED WITH I.D. =5" (UNLESS OTHERWISE SPECIFIED)	
3. MISC:	

ALL DIMENSIONS ARE SPECIFIED IN:
 IN [MM]
 TOLERANCES UNLESS OTHERWISE SPECIFIED:
 ENGLISH .XX = ±.02 IN .XXX = ±.010 IN
 METRIC .X = ±.2 MM .XX = ±.10 MM
 FRACTIONAL = ±1/64" ALL ANGLES = ±5°
 THIRD ANGLE PROJECTION

CONFIDENTIALITY NOTICE
 THIS DRAWING CONTAINS CONFIDENTIAL INFORMATION AND IS SUPPLIED BY ICONN SYSTEMS, LLC. THE OWNER OF SUCH INFORMATION. IN ACCEPTING THIS DRAWING, THE USER AGREES THAT IT IS FOR THE USER'S SOLE USE, THAT IT WILL NOT BE REPRODUCED OR DISTRIBUTED TO OTHERS, AND THAT THE INFORMATION CONTAINED THEREIN WILL NOT BE USED IN ANY MANNER DETRIMENTAL TO ICONN SYSTEMS.

DESIGNED BY: X.XXXXXX	DATE: XX-XX-XX
DESIGN APPROVED BY: X.XXXXXX	DATE: XX-XX-XX
DRAFTED BY: A. HERNANDEZ	DATE: 01-04-23
CHECKED BY: E. FREEMON	DATE: 01-04-23
SIZE: B	DO NOT SCALE THIS DRAWING
DRAWING SCALE: 8:1	

1110 N. GARFIELD ST. LOMBARD, IL 60148
 TEL: (630) 827-6000 FAX: (630) 827-6006
ICONNSYSTEMS.COM

DRAWING NUMBER: **i8 TEMPLATE**

DRAWING TYPE: SALES SHEET: 1 OF 2

REV. **A**

WIRING TABLE LEGEND:
 N/T = NOT TERMINATED, N/C = NO CONTACT, M/C = MOLDED CLOSED

INSERT FACE VIEWS

CONFIGURATIONS CONDUCTOR SIZE 20 - 24 AWG

# OF POLES	2 POLE (PIN / SOCKET)	3 POLE (PIN / SOCKET)	4 POLE (PIN / SOCKET)
FEMALE FACE VIEW (MALE IS REVERSE)			
END A/B			
PIN/SOCKET			

CONFIGURATIONS CONDUCTOR SIZE 24 - 26 AWG

# OF POLES	4 POLE (PIN / SOCKET)	5 POLE (PIN / SOCKET)	6 POLE (PIN / SOCKET)
FEMALE FACE VIEW (MALE IS REVERSE)			
END A/B			
PIN/SOCKET			

CONNECTOR CHECKLIST:

PAGE 1

- END A STYLE SELECTION
- END B STYLE SELECTION
- LABEL
- STRIP/TIN/SLUG
- OTHER INTERCONNECT
- CABLE SPECIFICATIONS
- OVERMOLD MATERIAL / COLOR / UV

PAGE 2

- END A PINOUT
- END A GENDER
- END B PINOUT (IF APPLICABLE)
- END B GENDER (IF APPLICABLE)
- WIRING TABLE

WIRE COLOR CODE END "A"

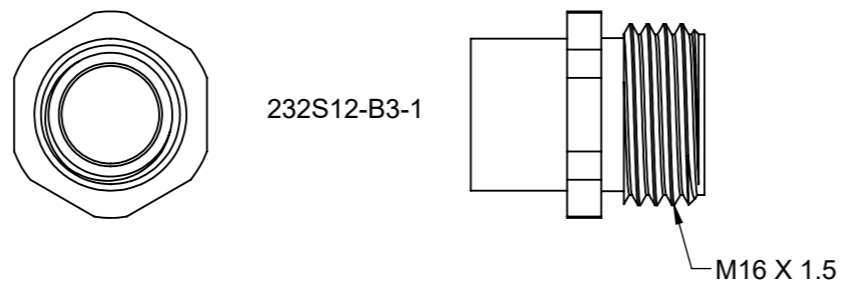
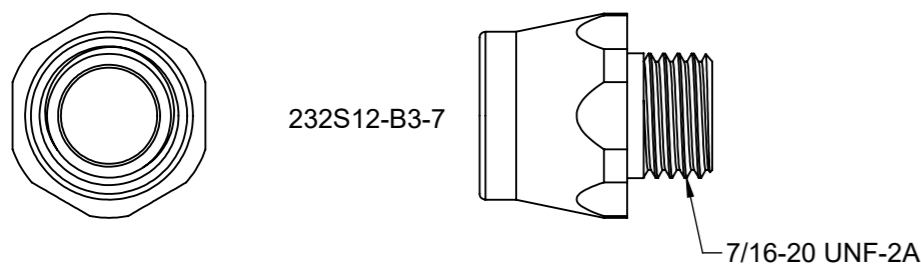
1	2	3	4	5	6

WIRE COLOR CODE END "B"

1	2	3	4	5	6

ALL DIMENSIONS ARE SPECIFIED IN: IN [MM] TOLERANCES UNLESS OTHERWISE SPECIFIED: ENGLISH .XX = ±.02 IN .XXX = ±.010 IN METRIC .X = ±.2 MM .XX = ±.10 MM FRACTIONAL = ±1/64" ALL ANGLES = ±5° 		DESIGNED BY: X.XXXXXX DATE: XX-XX-XX DESIGN APPROVED BY: X.XXXXXX DATE: XX-XX-XX DRAFTED BY: A. HERNANDEZ DATE: 01-04-23 CHECKED BY: E. FREEMON DATE: 01-04-23	 1110 N. GARFIELD ST. LOMBARD, IL 60148 TEL: (630) 827-6000 FAX: (630) 827-6006 ICONNSYSTEMS.COM
CONFIDENTIALITY NOTICE THIS DRAWING CONTAINS CONFIDENTIAL INFORMATION AND IS SUPPLIED BY ICONN SYSTEMS, LLC, THE OWNER OF SUCH INFORMATION. IN ACCEPTING THIS DRAWING, THE USER AGREES THAT IT IS FOR THE USER'S SOLE USE, THAT IT WILL NOT BE REPRODUCED OR DISTRIBUTED TO OTHERS, AND THAT THE INFORMATION CONTAINED THEREIN WILL NOT BE USED IN ANY MANNER DETRIMENTAL TO ICONN SYSTEMS.		DRAWING TITLE: <h3>i8 SALES OPTIONS</h3>	DRAWING NUMBER: <h3>18 TEMPLATE</h3>
SIZE <h1>B</h1>	DO NOT SCALE THIS DRAWING	DRAWING SCALE: <h2>8:1</h2>	DRAWING TYPE: SALES SHEET: 2 OF 2

WIRING TABLE LEGEND:
 N/T = NOT TERMINATED, N/C = NO CONTACT, M/C = MOLDED CLOSED

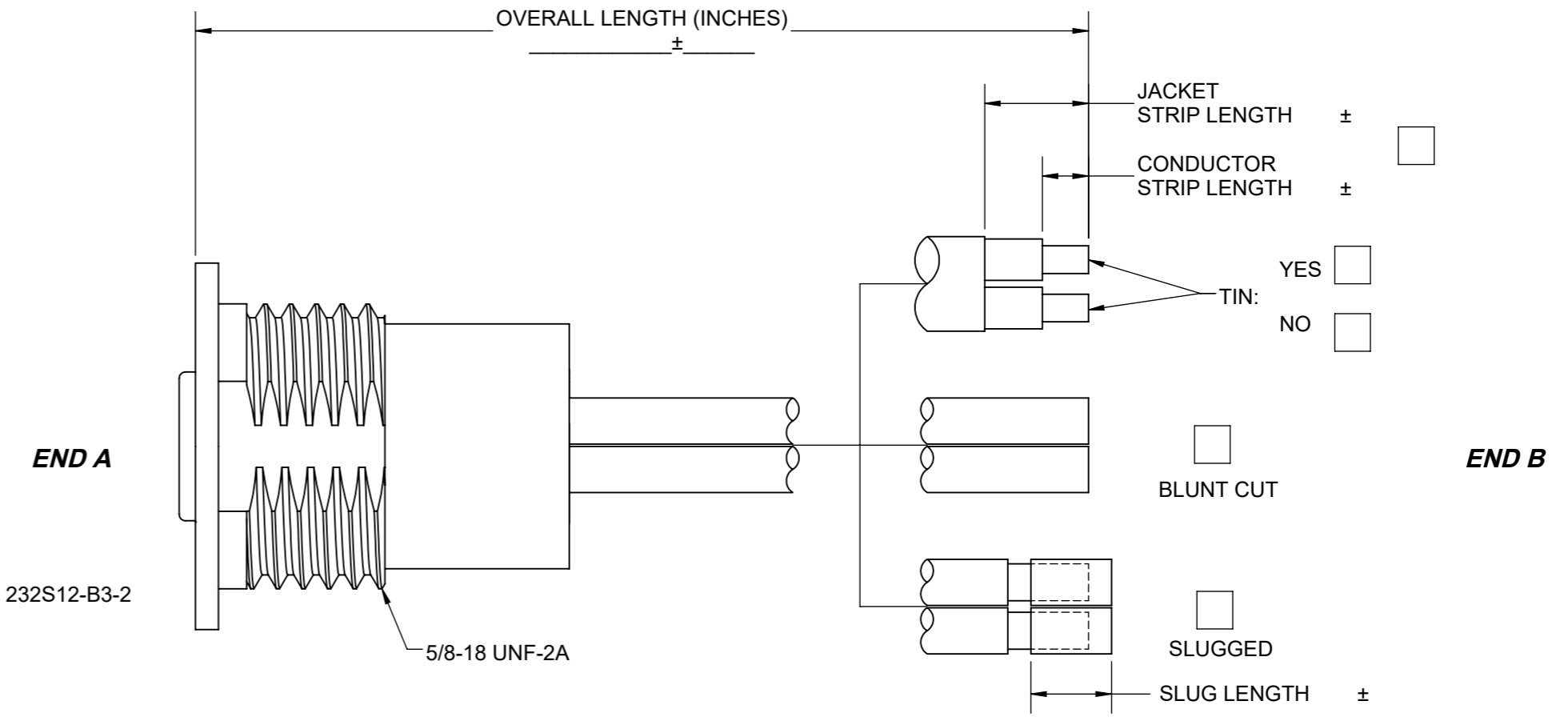
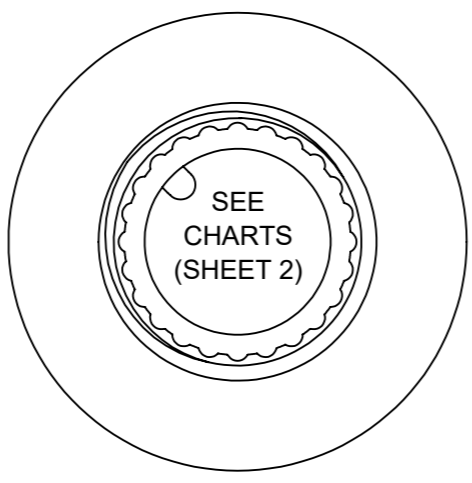
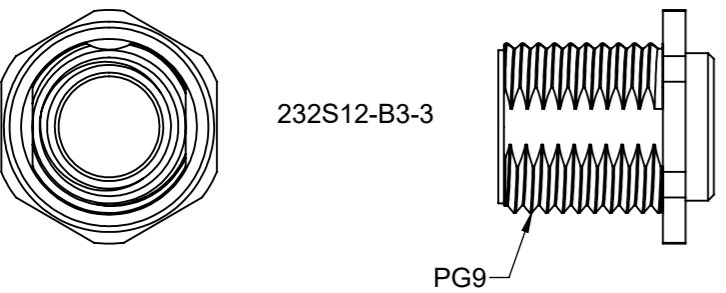
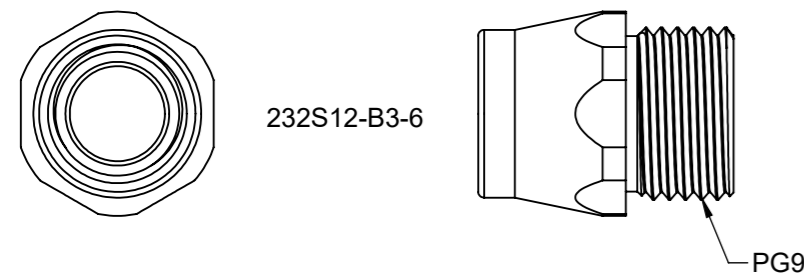
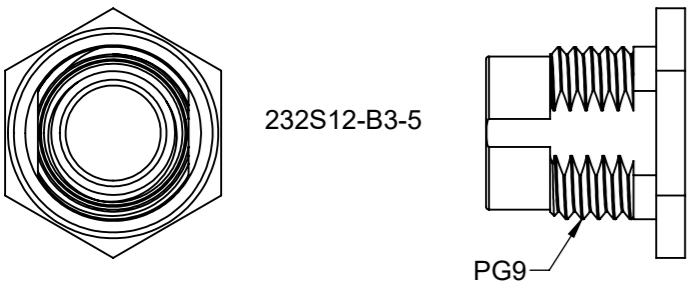


LABEL:

FLAG

WRAP AROUND

NONE REQUIRED



- NOTES:**
- MATERIALS:**
 - INSERT: PA OR PBT
 - HOUSING: BRASS / NICKEL PLATED -OR- STAINLESS STEEL
 - CONTACTS : COPPER ALLOY, GOLD / NICKEL PLATED

- PRODUCT PERFORMANCE:**
 - SEALING: UP TO IP67 RATING
 - VOLTAGE: UP TO 300V
 - WIRE SIZE: SEE CONFIGURATION TABLE

3. MOUNTING HARDWARE AND GASKET NOT SHOWN

4. INSERT CONFIGURATIONS ON SHEET 2

REQUIRED SECONDARY INTERCONNECTIONS :

ALL DIMENSIONS ARE SPECIFIED IN:
IN [MM]

TOLERANCES UNLESS OTHERWISE SPECIFIED:
ENGLISH .XX = ±.02 IN .XXX = ±.010 IN
METRIC X = ±.8 MM .XX = ±.25 MM

FRACTIONAL = ±1/32" ALL ANGLES = ±10°

THIRD ANGLE PROJECTION

DESIGNED BY: A.ALSAADI
DESIGN APPROVED BY: T.CZYZ
DRAFTED BY: C.CAPUL
CHECKED BY: T.CZYZ

DATE: 6-12-17
DATE: 6-12-17
DATE: 8-3-2021
DATE: 8-3-2021



CONFIDENTIALITY NOTICE

THIS DRAWING CONTAINS CONFIDENTIAL INFORMATION AND IS SUPPLIED BY ICONN SYSTEMS, LLC. THE OWNER OF SUCH INFORMATION. IN ACCEPTING THIS DRAWING, THE USER AGREES THAT IT IS FOR THE USER'S SOLE USE, THAT IT WILL NOT BE REPRODUCED OR DISTRIBUTED TO OTHERS, AND THAT THE INFORMATION CONTAINED THEREIN WILL NOT BE USED IN ANY MANNER DETRIMENTAL TO ICONN SYSTEMS.

SIZE: **B**

DO NOT SCALE THIS DRAWING

DRAWING SCALE: **2:1**

DRAWING TITLE: **i12 FEMALE RECEPTACLE SALES OPTIONS (A,B & D CODES ONLY)**

DRAWING NUMBER: **i12 FEMALE RECEPTACLE**

DRAWING TYPE: SALES SHEET: 1 OF 2

REV. **B**



WIRE COLOR CODE END A

POSITION	1	2	3	4	5	6	7	8
COLOR								

WIRING TABLE LEGEND:
N/T = NOT TERMINATED, N/C = NO CONTACT, M/C = MOLDED CLOSED

	A	B	C	D	E	F	G	H	I	J	
1	A-CODE FEMALE CONFIGURATIONS (20AWG)				A-CODE FEMALE CONFIGURATIONS (22 AWG)				A-CODE FEMALE CONFIGURATIONS (22AWG AND 1 POLE RG-179 COAX)		
	# OF CONTACTS	5	4	3	2	# OF CONTACTS	8	7	6	# OF CONTACTS	7
2	FEMALE (FACE VIEW)					FEMALE (FACE VIEW)				FEMALE (FACE VIEW)	
	PART NUMBER	330K10-C05B2-1	330K12-C04B2-1	330K12-C03B2-1	330K12-C02B2-1	PART NUMBER	330K12-D08B2-1	330K12-D07B2-1	330K12-D06B2-1	PART NUMBER	330K12-Z07B2-1

	B-CODE FEMALE CONFIGURATIONS (20AWG)				
	# OF CONTACTS	5	4	3	2
4	FEMALE (FACE VIEW)		*** 	*** 	***
	PART NUMBER	330K12-C05B2-2	330K12-C04B2-4	330K12-C03B2-2	330K12-C02B2-2

	D-CODE FEMALE CONFIGURATIONS (20AWG)				
	# OF CONTACTS	5	4	3	2
	FEMALE (FACE VIEW)		*** 	*** 	***
	PART NUMBER	330K12-C05B2-3	330K12-C04B2-3	330K12-C03B2-3	330K12-C02B2-3

● ***NO CONTACT, ACCOMMODATES MATING PIN CONTACT

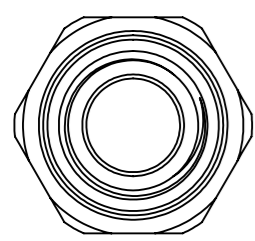
5
6
7
8
9
10

REQUIRED SECONDARY INTERCONNECTIONS :

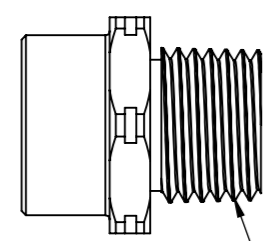
ALL DIMENSIONS ARE SPECIFIED IN: IN [MM]		DESIGNED BY: A.ALSAADI DATE: 6-12-17	 1110 N. GARFIELD ST. LOMBARD, IL 60140 TEL: (630) 827-6000 FAX: (630) 827-6006 ICONNSYSTEMS.COM
TOLERANCES UNLESS OTHERWISE SPECIFIED: ENGLISH .XX = ±.02 IN .XXX = ±.010 IN METRIC X = ±.8 MM .XX = ±.25 MM		DESIGN APPROVED BY: T.CYZ DATE: 6-12-17	
FRACTIONAL = ±1/32" ALL ANGLES = ±10°		DRAFTED BY: C.CAPUL DATE: 8-3-2021	
THIRD ANGLE PROJECTION		CHECKED BY: T.CYZ DATE: 8-3-2021	
CONFIDENTIALITY NOTICE THIS DRAWING CONTAINS CONFIDENTIAL INFORMATION AND IS SUPPLIED BY ICONN SYSTEMS, LLC. THE OWNER OF SUCH INFORMATION, IN ACCEPTING THIS DRAWING, THE USER AGREES THAT IT IS FOR THE USER'S SOLE USE, THAT IT WILL NOT BE REPRODUCED OR DISTRIBUTED TO OTHERS, AND THAT THE INFORMATION CONTAINED THEREIN WILL NOT BE USED IN ANY MANNER DETRIMENTAL TO ICONN SYSTEMS.		DRAWING TITLE: i12 FEMALE RECEPTACLE SALES OPTIONS (A,B & D CODES ONLY)	
	SIZE: B DO NOT SCALE THIS DRAWING	DRAWING SCALE: 2:1	DRAWING NUMBER: i12 FEMALE RECEPTACLE DRAWING TYPE: SALES SHEET: 2 OF 2

WIRING TABLE LEGEND:
 N/T = NOT TERMINATED, N/C = NO CONTACT, M/C = MOLDED CLOSED

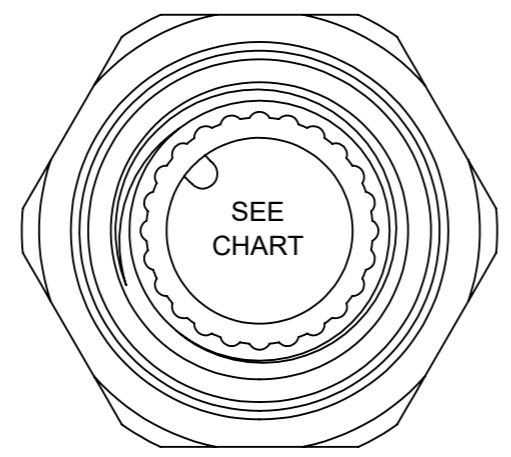
LABEL:
 FLAG
 WRAP AROUND
 NONE REQUIRED



232P12-B3-13

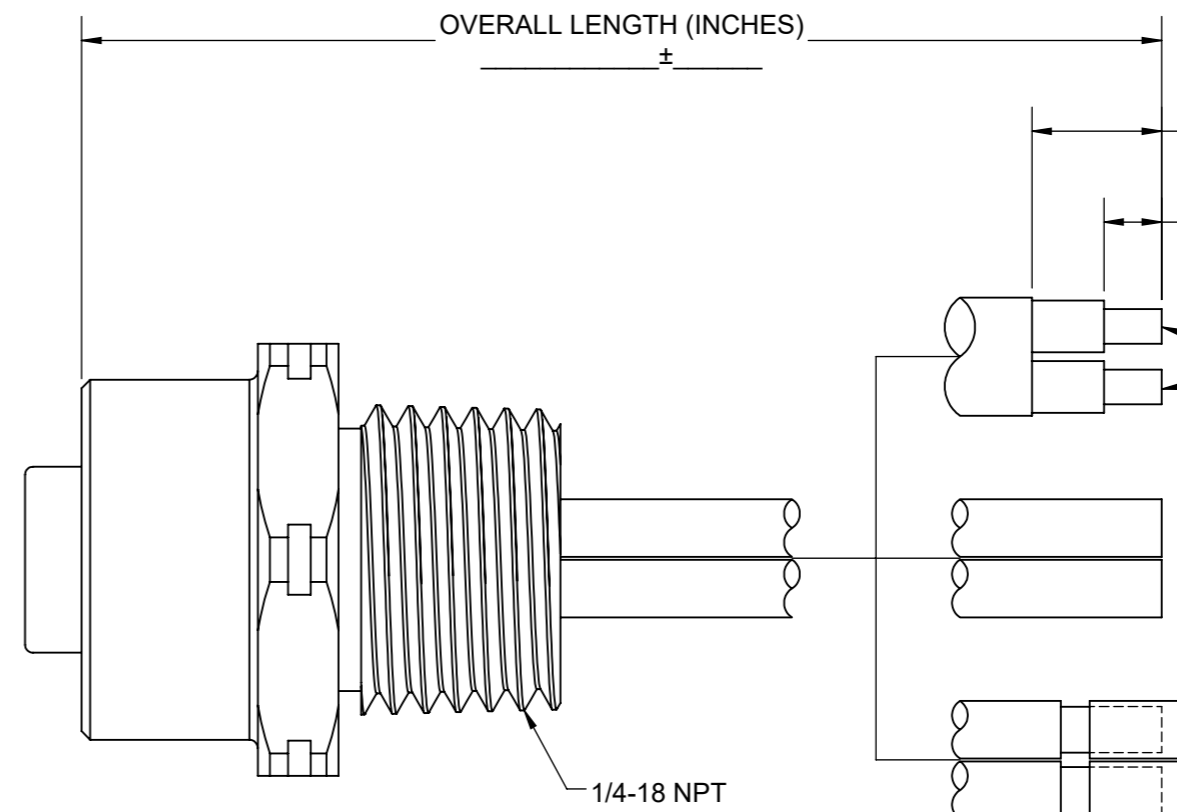


1/4-18 NPT



END A

232P12-B3-13



JACKET STRIP LENGTH ±
 CONDUCTOR STRIP LENGTH ±
 TIN: YES
 NO

BLUNT CUT

SLUGGED

SLUG LENGTH ±

END B

C-CODE FEMALE CONFIGURATION (20 AWG)

C-CODE FEMALE CONFIGURATION (22 AWG)

# OF CONTACTS	2	3	4	# OF CONTACTS	5	6
FEMALE (FACE VIEW)				FEMALE (FACE VIEW)		
PART NUMBER	360K12-C02B2-1	360K12-C03B2-1	360K12-C04B2-1	PART NUMBER	360K12-D05B2-1	360K12-D06B2-1

- NOTES:**
- MATERIALS:**
 - INSERT: PA OR PBT
 - HOUSING: BRASS / NICKEL PLATED -OR- STAINLESS STEEL
 - CONTACTS : COPPER ALLOY, GOLD / NICKEL PLATED
 - PRODUCT PERFORMANCE:**
 - SEALING: UP TO IP67 RATING
 - VOLTAGE: UP TO 300V
 - WIRE SIZE: SEE CONFIGURATION TABLE
 - MOUNTING HARDWARE AND GASKET NOT SHOWN**

REQUIRED SECONDARY INTERCONNECTIONS :

ALL DIMENSIONS ARE SPECIFIED IN:
 IN []
 [MM]
 TOLERANCES UNLESS OTHERWISE SPECIFIED:
 ENGLISH .XX = ±.02 IN
 .XXX = ±.010 IN
 METRIC X = ±.8 MM
 .XX = ±.25 MM
 FRACTIONAL = ±1/32"
 ALL ANGLES = ±10°
 THIRD ANGLE PROJECTION

CONFIDENTIALITY NOTICE
 THIS DRAWING CONTAINS CONFIDENTIAL INFORMATION AND IS SUPPLIED BY ICONN SYSTEMS, LLC. THE OWNER OF SUCH INFORMATION. IN ACCEPTING THIS DRAWING, THE USER AGREES THAT IT IS FOR THE USER'S SOLE USE, THAT IT WILL NOT BE REPRODUCED OR DISTRIBUTED TO OTHERS, AND THAT THE INFORMATION CONTAINED THEREIN WILL NOT BE USED IN ANY MANNER DETRIMENTAL TO ICONN SYSTEMS.

DESIGNED BY: A.ALSAADI	DATE: 6-12-17
DESIGN APPROVED BY: T.CZYZ	DATE: 6-12-17
DRAFTED BY: C.CAPUL	DATE: 8-3-2021
CHECKED BY: T.CZYZ	DATE: 8-3-2021



i12 FEMALE RECEPTACLE SALES OPTIONS (A,B & D CODES ONLY)

SIZE **B**

DO NOT SCALE THIS DRAWING

DRAWING SCALE: **2:1**

DRAWING NUMBER: **i12 FEMALE RECEPTACLE**

DRAWING TYPE: **SALES** SHEET: 1 OF 1

REV. **B**

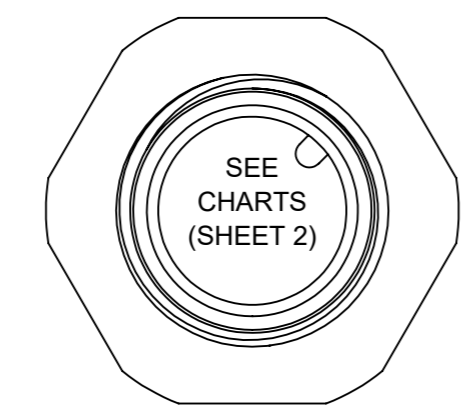
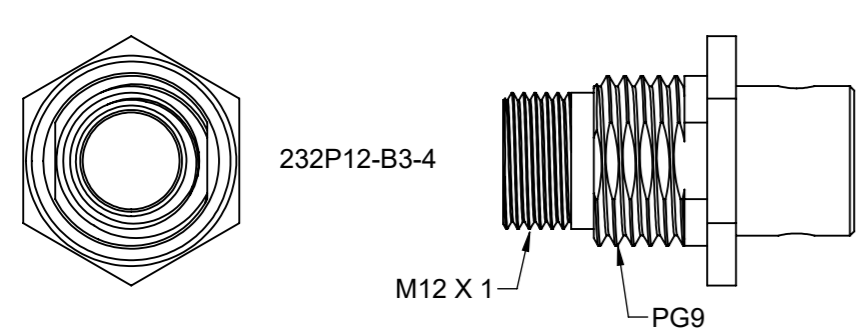
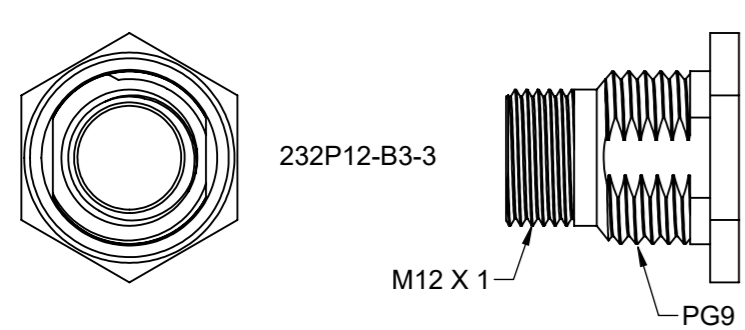
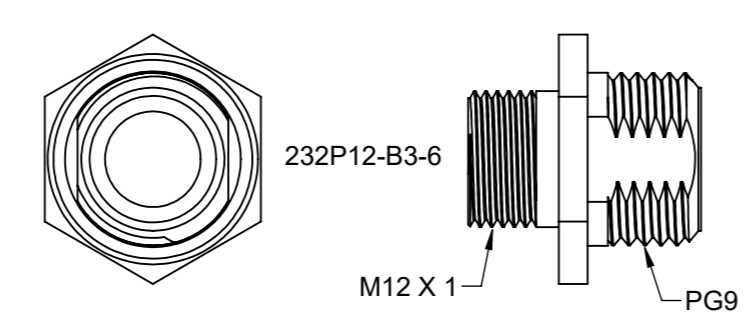
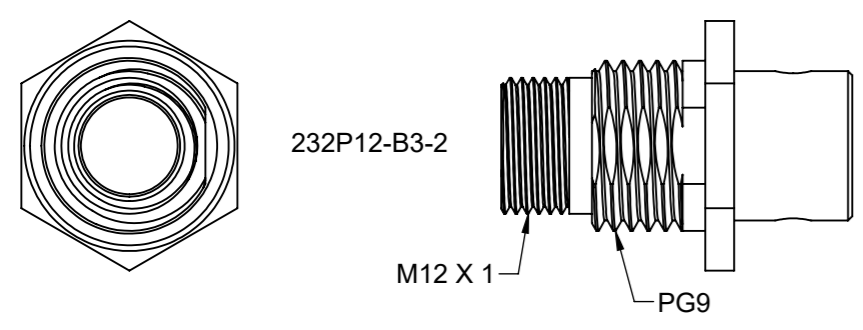


WIRE COLOR CODE END A

POSITION	1	2	3	4	5	6	7	8
COLOR								

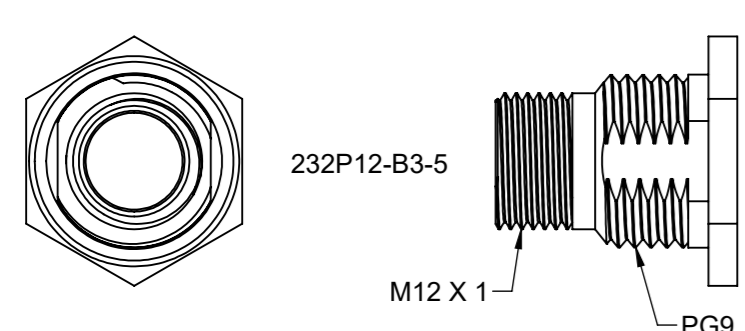
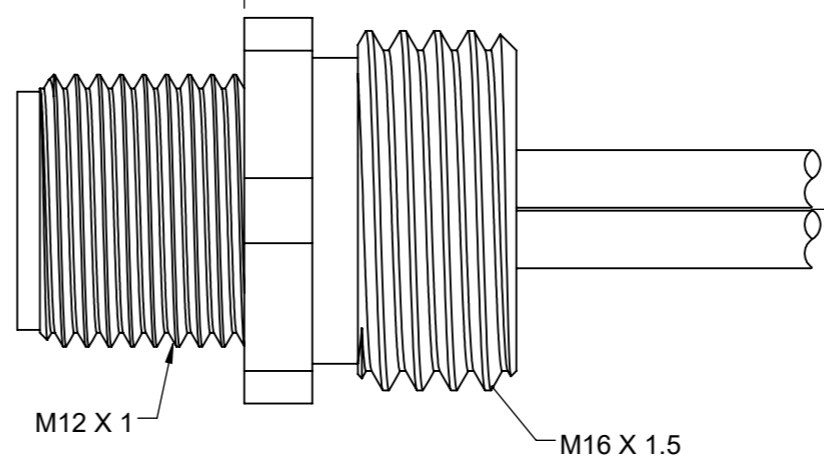
WIRING TABLE LEGEND:
 N/T = NOT TERMINATED, N/C = NO CONTACT, M/C = MOLDED CLOSED

1
2
3
4
5
6
7



END A

232P12-B3-1



LABEL:
 FLAG
 WRAP AROUND
 NONE REQUIRED

OVERALL LENGTH (INCHES) ±

JACKET STRIP LENGTH ±
 CONDUCTOR STRIP LENGTH ±

TIN: YES
 NO

BLUNT CUT

SLUGGED

SLUG LENGTH ±

END B

NOTES:

- MATERIALS:**
 - INSERT: PA OR PBT
 - HOUSING: BRASS / NICKEL PLATED -OR- STAINLESS STEEL
 - CONTACTS : COPPER ALLOY, GOLD / NICKEL PLATED
- PRODUCT PERFORMANCE:**
 - SEALING: UP TO IP67 RATING
 - VOLTAGE: UP TO 300V
 - WIRE SIZE: SEE CONFIGURATION TABLE
- MOUNTING HARDWARE AND GASKET NOT SHOWN**
- SEE SHEET 2 FOR INSERT CONFIGURATIONS**

REQUIRED SECONDARY INTERCONNECTIONS :

ALL DIMENSIONS ARE SPECIFIED IN:
 IN [MM]
 TOLERANCES UNLESS OTHERWISE SPECIFIED:
 ENGLISH .XX = ±.02 IN .XXX = ±.010 IN
 METRIC .X = ± .5 MM .XX = ± .25 MM
 FRACTIONAL = ±1/32" ALL ANGLES = ±10°
 THIRD ANGLE PROJECTION

CONFIDENTIALITY NOTICE
 THIS DRAWING CONTAINS CONFIDENTIAL INFORMATION AND IS SUPPLIED BY ICONN SYSTEMS, LLC. THE OWNER OF SUCH INFORMATION. IN ACCEPTING THIS DRAWING, THE USER AGREES THAT IT IS FOR THE USER'S SOLE USE, THAT IT WILL NOT BE REPRODUCED OR DISTRIBUTED TO OTHERS, AND THAT THE INFORMATION CONTAINED THEREIN WILL NOT BE USED IN ANY MANNER DETRIMENTAL TO ICONN SYSTEMS.

DESIGNED BY: A.ALSAADI DATE: 6-12-17
 DESIGN APPROVED BY: T.CZYZ DATE: 6-12-17
 DRAFTED BY: C.CAPUL DATE: 8-3-2021
 CHECKED BY: T.CZYZ DATE: 8-3-2021

iconn an R2M co. SYSTEMS, LLC
 1110 N. GARFIELD ST. LOMBARD, IL 60148
 TEL: (630) 827-6000 FAX: (630) 827-6006
ICONNSYSTEMS.COM

DRAWING TITLE:
i12 MALE RECEPTACLE SALES OPTIONS
 (A,B & D CODES ONLY)

SIZE **B** DO NOT SCALE THIS DRAWING DRAWING SCALE: **2:1**

DRAWING NUMBER: **i12 MALE RECEPTACLE** REV. **B**
 DRAWING TYPE: SALES SHEET: 1 OF 2

WIRE COLOR CODE END A

POSITION	1	2	3	4	5	6	7	8
COLOR								



	A	B	C	D	E	F	G	H	I	J	
1	A-CODE MALE CONFIGURATIONS (20AWG)				A-CODE MALE CONFIGURATIONS (22 AWG)			A-CODE MALE CONFIGURATIONS (22AWG AND 1 POLE RG-179 COAX)			
	# OF CONTACTS	5	4	3	2	# OF CONTACTS	8	7	6	# OF CONTACTS	7
2	MALE (FACE VIEW)					MALE (FACE VIEW)				MALE (FACE VIEW)	
	PART NUMBER	331K12-C05B2-1	331K12-C04B2-1	331K12-C03B2-1	331K12-C02B2-1	PART NUMBER	331K12-D08B2-1	331K12-D07B2-1	331K12-D06B2-1	PART NUMBER	331K12-Z07B2-1

3	B-CODE MALE CONFIGURATIONS (20AWG)				
	# OF CONTACTS	5	4	3	2
4	MALE (FACE VIEW)		*** 	*** 	***
5	PART NUMBER	331K12-C05B2-2	331K12-C04B2-2	331K12-C03B2-2	330112-C02B2-2

3	D-CODE MALE CONFIGURATIONS (20AWG)				
	# OF CONTACTS	5	4	3	2
4	MALE (FACE VIEW)		*** 	*** 	***
5	PART NUMBER	331K12-C05B2-3	331K12-C04B2-3	331K12-C03B2-3	331K12-C02B2-3

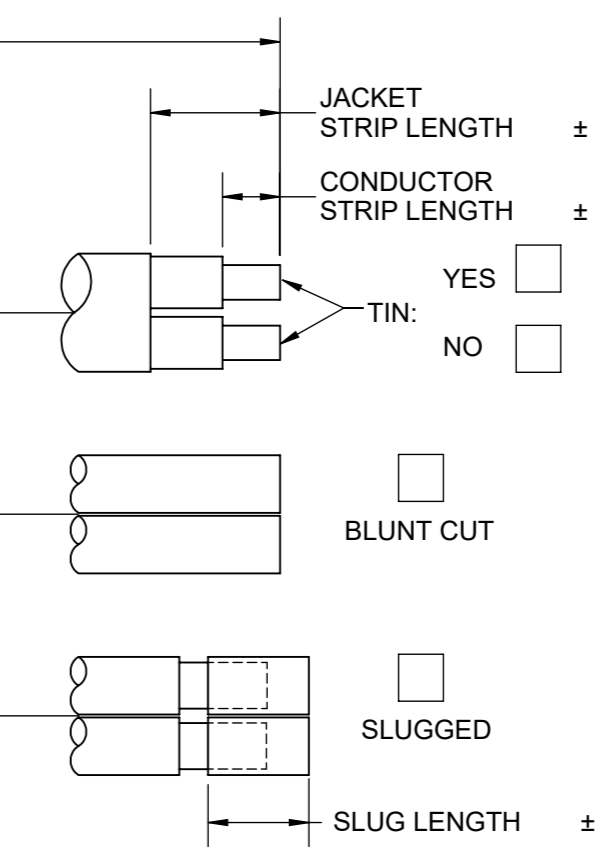
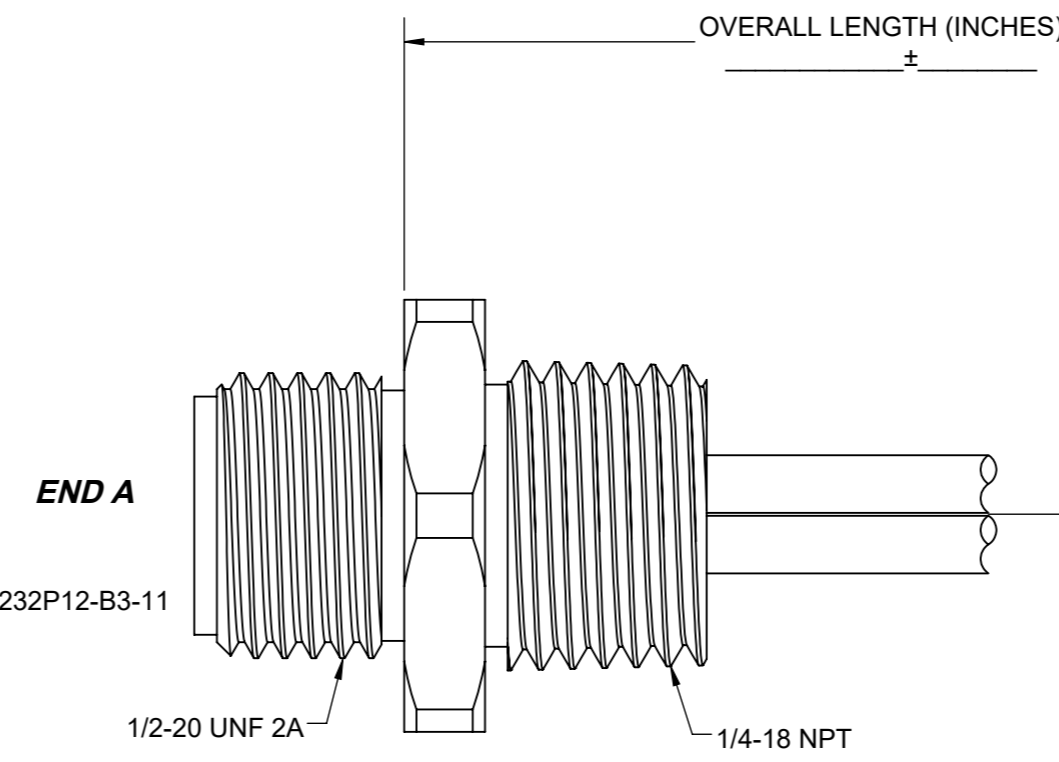
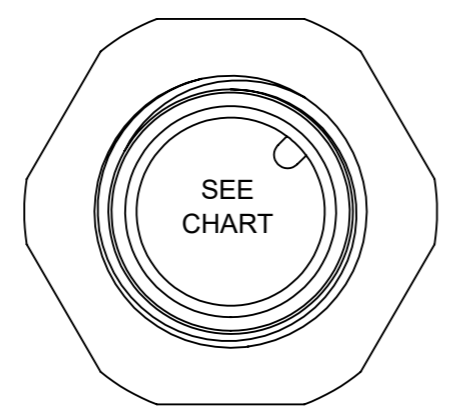
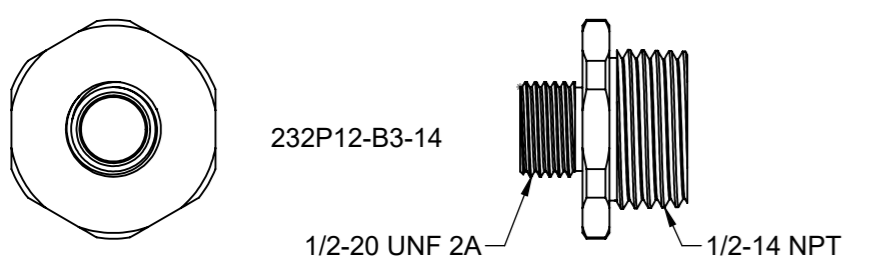
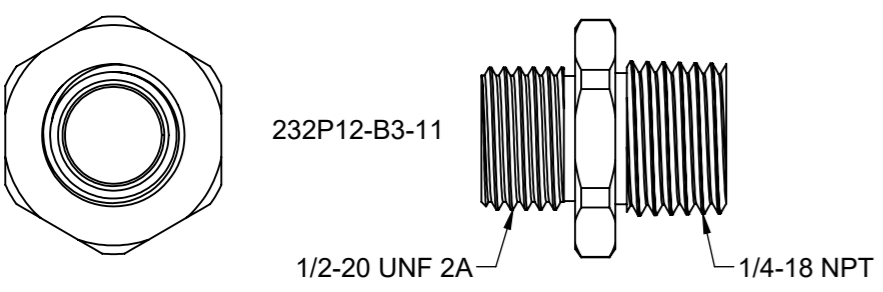
● ***NO CONTACT, MOLDED CLOSED

REQUIRED SECONDARY INTERCONNECTIONS :

ALL DIMENSIONS ARE SPECIFIED IN: IN [MM] TOLERANCES UNLESS OTHERWISE SPECIFIED: ENGLISH .XX = ±.02 IN .XXX = ±.010 IN METRIC .X = ± .5 MM .XX = ± .25 MM FRACTIONAL = ±1/32" ALL ANGLES = ±10° 	DESIGNED BY: A.ALSAADI	DATE: 6-12-17	 1110 N. GARFIELD ST. LOMBARD, IL 60148 TEL: (630) 827-6000 FAX: (630) 827-6006 ICONNSYSTEMS.COM		
	DESIGN APPROVED BY: T.CZYZ	DATE: 6-12-17			
CONFIDENTIALITY NOTICE THIS DRAWING CONTAINS CONFIDENTIAL INFORMATION AND IS SUPPLIED BY ICONN SYSTEMS, LLC. THE OWNER OF SUCH INFORMATION, IN ACCEPTING THIS DRAWING, THE USER AGREES THAT IT IS FOR THE USER'S SOLE USE, THAT IT WILL NOT BE REPRODUCED OR DISTRIBUTED TO OTHERS, AND THAT THE INFORMATION CONTAINED THEREIN WILL NOT BE USED IN ANY MANNER DETRIMENTAL TO ICONN SYSTEMS.	DRAFTED BY: C.CAPUL	DATE: 8-3-2021	DRAWING TITLE: i12 MALE RECEPTACLE SALES OPTIONS (A,B & D CODES ONLY)		
	CHECKED BY: T.CZYZ	DATE: 8-3-2021			
	SIZE B	DO NOT SCALE THIS DRAWING	DRAWING SCALE: 2:1	DRAWING NUMBER: i12 MALE RECEPTACLE	REV. B
DRAWING TYPE: SALES		SHEET: 2 OF 2			

WIRING TABLE LEGEND:
 N/T = NOT TERMINATED, N/C = NO CONTACT, M/C = MOLDED CLOSED

A B C D E F G H I J



LABEL:
 FLAG
 WRAP AROUND
 NONE REQUIRED

C-CODE MALE CONFIGURATIONS (20AWG)

C-CODE MALE CONFIGURATIONS (22AWG)

# OF CONTACTS	2	3	4	# OF CONTACTS	5	6
MALE (FACE VIEW)				MALE (FACE VIEW)		
PART NUMBER	361K12-C02B2-1	361K12-C03B2-1	361K12-C04B2-1	PART NUMBER	361K12-D05B2-1	361K12-D06B2-1

- NOTES:**
- MATERIALS:**
 - INSERT: PA OR PBT
 - HOUSING: BRASS / NICKEL PLATED -OR- STAINLESS STEEL
 - CONTACTS : COPPER ALLOY, GOLD / NICKEL PLATED
 - PRODUCT PERFORMANCE:**
 - SEALING: UP TO IP67 RATING
 - VOLTAGE: UP TO 300V
 - WIRE SIZE: SEE CONFIGURATION TABLE
 - MOUNTING HARDWARE AND GASKET NOT SHOWN**

REQUIRED SECONDARY INTERCONNECTIONS :

ALL DIMENSIONS ARE SPECIFIED IN:
 IN [MM]
 TOLERANCES UNLESS OTHERWISE SPECIFIED:
 ENGLISH .XX = ±.02 IN .XXX = ±.010 IN
 METRIC .X = ±.5 MM .XX = ±.25 MM
 FRACTIONAL = ±1/32" ALL ANGLES = ±10°
 THIRD ANGLE PROJECTION

CONFIDENTIALITY NOTICE
 THIS DRAWING CONTAINS CONFIDENTIAL INFORMATION AND IS SUPPLIED BY ICONN SYSTEMS, LLC. THE OWNER OF SUCH INFORMATION. IN ACCEPTING THIS DRAWING, THE USER AGREES THAT IT IS FOR THE USER'S SOLE USE, THAT IT WILL NOT BE REPRODUCED OR DISTRIBUTED TO OTHERS, AND THAT THE INFORMATION CONTAINED THEREIN WILL NOT BE USED IN ANY MANNER DETRIMENTAL TO ICONN SYSTEMS.

DESIGNED BY: A.ALSAADI DATE: 6-12-17
 DESIGN APPROVED BY: T.CZYZ DATE: 6-12-17
 DRAFTED BY: C.CAPUL DATE: 8-3-2021
 CHECKED BY: T.CZYZ DATE: 8-3-2021

iconn an R2M co. SYSTEMS, LLC
 1110 N. GARFIELD ST. LOMBARD, IL 60148
 TEL: (630) 827-6000 FAX: (630) 827-6006
ICONNSYSTEMS.COM

DRAWING TITLE:
i12 MALE RECEPTACLE SALES OPTIONS (C CODE ONLY)

SIZE **B** DO NOT SCALE THIS DRAWING DRAWING SCALE: **2:1**

DRAWING NUMBER: **i12 MALE RECEPTACLE** REV. **B**
 DRAWING TYPE: SALES SHEET: 1 OF 1

WIRE COLOR CODE END A

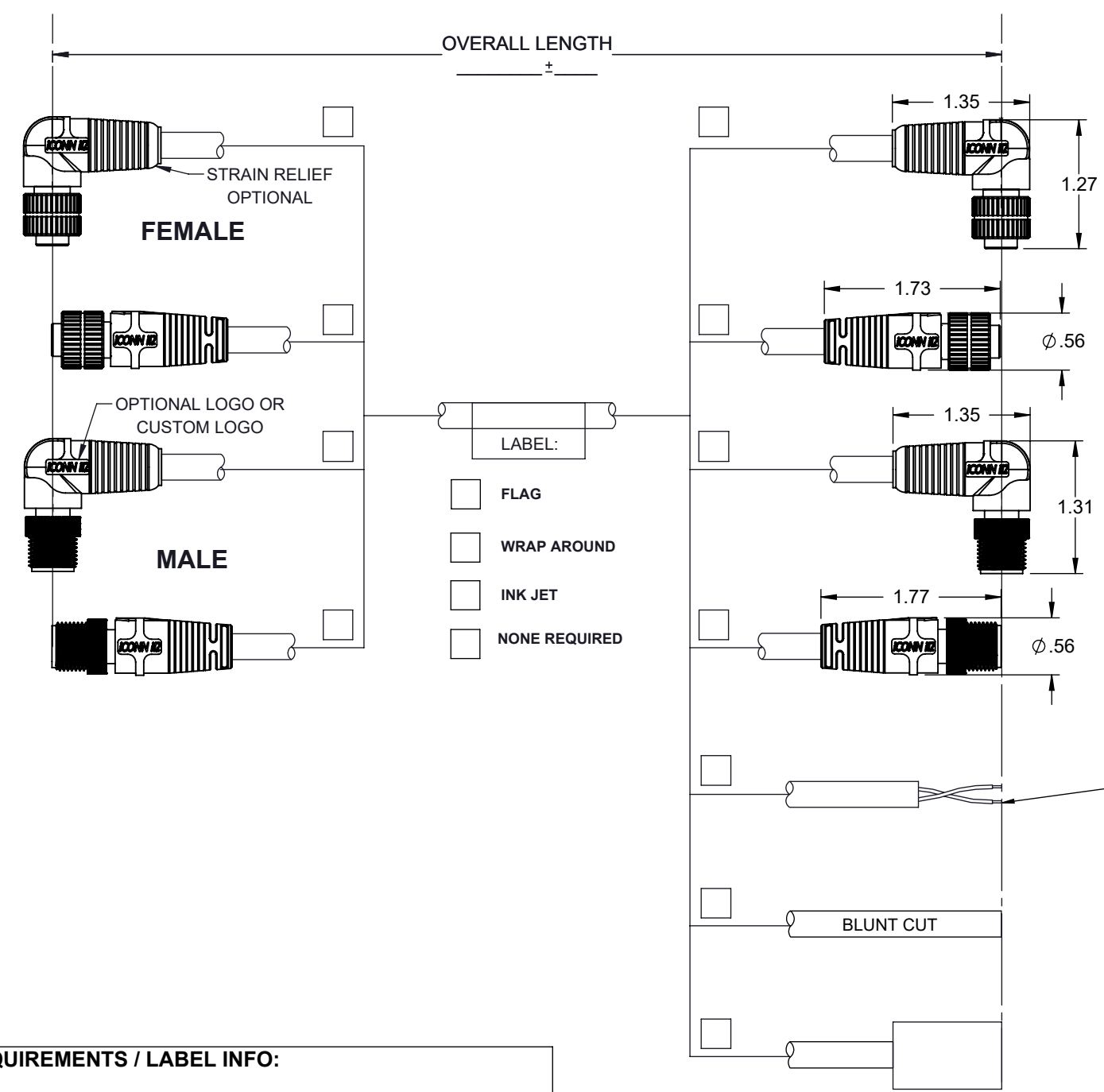
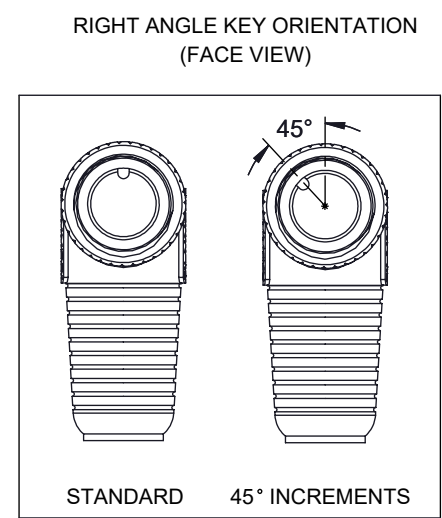
POSITION	1	2	3	4	5	6	7	8
COLOR								



WIRING TABLE LEGEND:
 N/T = NOT TERMINATED, N/C = NO CONTACT, M/C = MOLDED CLOSED

STANDARD TOLERANCES	
OVERALL LENGTH	TOLERANCE
< 6"	+/- .25"
6" - 11"	+/- .50"
11" - 23"	+/- 1"
2.00' - 7.99'	+/- 2"
8.00' - 10.99'	+/- 3"
11.00' - 19.99'	+/- 4"
20.00' - 25.99'	+/- 6"
26.00' - 50.99'	+/- 8"
51.00' - 75.99'	+/- 10"
76.00' - 100.00'	+/- 12"
> 100.00'	+/- 1%

NOTE: TIGHTER TOLERANCES MAY REQUIRE SPECIAL FIXTURING AT ADDITIONAL COST



CABLE END PREP:
 • JACKET STRIP ____±____
 • WIRE STRIP ____±____
 • SLUG: YES NO
 • TIN: YES NO

SECONDARY INTERCONNECTION	
MFG	P/N

CABLE SPECIFICATION	
CABLE MFG / PART #:	
FILL OUT BELOW IF <u>NO</u> CABLE MFG OR PART #:	
JACKET COLOR:	
JACKET MATERIAL:	
CONDUCTOR SIZE:	
STRANDING:	
TINNED/BARE:	
# OF CONDUCTORS:	
CONDUCTOR INSULATION:	
SHIELD:	
DRAIN:	
VOLTS:	
UL:	
CSA:	
OTHER:	

SPECIAL REQUIREMENTS / LABEL INFO:	
OVERMOLD:	
OVERMOLD MATERIAL:	
I.P. RATING:	
OVERMOLD COLOR:	
UV RESIST: - YES / NO	
PACKAGING SPECS:	
1. IF LENGTH IS < 3FT. CABLE IS BUNDLED	
2. IF LENGTH IS > 3FT. CABLE IS COILED WITH I.D. =5" (UNLESS OTHERWISE SPECIFIED)	
3. MISC:	

ALL DIMENSIONS ARE SPECIFIED IN:
 IN [MM]
 TOLERANCES UNLESS OTHERWISE SPECIFIED:
 ENGLISH .XX = ±.02 IN .XXX = ±.010 IN
 METRIC .X = ±.2 MM .XX = ±.10 MM
 FRACTIONAL = ±1/64" ALL ANGLES = ±5°
 THIRD ANGLE PROJECTION

CONFIDENTIALITY NOTICE
 THIS DRAWING CONTAINS CONFIDENTIAL INFORMATION AND IS SUPPLIED BY ICONN SYSTEMS, LLC. THE OWNER OF SUCH INFORMATION. IN ACCEPTING THIS DRAWING, THE USER AGREES THAT IT IS FOR THE USER'S SOLE USE, THAT IT WILL NOT BE REPRODUCED OR DISTRIBUTED TO OTHERS, AND THAT THE INFORMATION CONTAINED THEREIN WILL NOT BE USED IN ANY MANNER DETRIMENTAL TO ICONN SYSTEMS.

DESIGNED BY: X.XXXXXX	DATE: XX-XX-XX
DESIGN APPROVED BY: X.XXXXXX	DATE: XX-XX-XX
DRAFTED BY: A. HERNANDEZ	DATE: 01-17-23
CHECKED BY: E. FREEMON	DATE: 01-17-23
SIZE B	DO NOT SCALE THIS DRAWING
DRAWING SCALE: 8:1	

1110 N. GARFIELD ST. LOMBARD, IL 60148
 TEL: (630) 827-6000 FAX: (630) 827-6006
ICONNSYSTEMS.COM

DRAWING TITLE:
i12 SALES OPTIONS

DRAWING NUMBER:
i12 TEMPLATE

DRAWING TYPE: SALES SHEET: 1 OF 2

REV. **A**

INSERT FACE VIEWS

A-CODE CONFIGURATIONS

B-CODE CONFIGURATIONS

D-CODE CONFIGURATIONS

(GREYED OUT HOLES ARE PRESENT BUT BLIND)

(GREYED OUT HOLES ARE PRESENT BUT BLIND)

# OF POLES	2 POLE	3 POLE	4 POLE	5 POLE	6 POLE	7 POLE	8 POLE	9 POLE	10 POLE	11 POLE	12 POLE	2 POLE	3 POLE	4 POLE	5 POLE	2 POLE	3 POLE	4 POLE	5 POLE
FEMALE FACE VIEW WITH KEYWAY (MALE IS REVERSE)																			
WIRE SIZE	20 - 24 AWG	20 - 24 AWG	20 - 24 AWG	20 - 24 AWG	22 - 26 AWG	22 - 26 AWG	22 - 26 AWG	24 - 28 AWG	24 - 28 AWG	24 - 28 AWG	24 - 28 AWG	20 - 24 AWG	20 - 24 AWG	20 - 24 AWG	20 - 24 AWG	20 - 24 AWG	20 - 24 AWG	20 - 24 AWG	20 - 24 AWG
END A/B																			
PIN/SOCKET																			

C-CODE CONFIGURATIONS

# OF POLES	2 POLE	3 POLE	4 POLE	5 POLE	6 POLE
FEMALE FACE VIEW WITH KEYWAY (MALE IS REVERSE)					
WIRE SIZE	20 - 24 AWG	20 - 24 AWG	20 - 24 AWG	22 - 26 AWG	22 - 26 AWG
END A/B					
PIN/SOCKET					

CONNECTOR CHECKLIST:

PAGE 1

- END A STYLE SELECTION
- END B STYLE SELECTION
- LABEL
- STRIP/TIN/SLUG
- OTHER INTERCONNECT
- CABLE SPECIFICATIONS
- OVERMOLD MATERIAL / COLOR / UV

PAGE 2

- END A PINOUT
- END A GENDER
- END B PINOUT (IF APPLICABLE)
- END B GENDER (IF APPLICABLE)
- WIRING TABLE

WIRE COLOR CODE END "A"

1	2	3	4	5	6	7	8	9	10	11	12
---	---	---	---	---	---	---	---	---	----	----	----

WIRE COLOR CODE END "B"

1	2	3	4	5	6	7	8	9	10	11	12
---	---	---	---	---	---	---	---	---	----	----	----

<p>ALL DIMENSIONS ARE SPECIFIED IN: IN [MM]</p> <p>TOLERANCES UNLESS OTHERWISE SPECIFIED: ENGLISH .XX = ±.02 IN .XXX = ±.010 IN METRIC .X = ±.2 MM .XX = ±.10 MM</p> <p>FRACTIONAL = ±1/64" ALL ANGLES = ±5°</p>		<p>DESIGNED BY: X.XXXXXX DATE: XX-XX-XX</p> <p>DESIGN APPROVED BY: X.XXXXXX DATE: XX-XX-XX</p> <p>DRAFTED BY: A. HERNANDEZ DATE: 01-17-23</p> <p>CHECKED BY: E. FREEMON DATE: 01-17-23</p>	<p>ICONN an R2M co. SYSTEMS, LLC 1110 N. GARFIELD ST. LOMBARD, IL 60148 TEL: (630) 827-6000 FAX: (630) 827-6006 ICONNSYSTEMS.COM</p>
<p>CONFIDENTIALITY NOTICE</p> <p>THIS DRAWING CONTAINS CONFIDENTIAL INFORMATION AND IS SUPPLIED BY ICONN SYSTEMS, LLC. THE OWNER OF SUCH INFORMATION. IN ACCEPTING THIS DRAWING, THE USER AGREES THAT IT IS FOR THE USER'S SOLE USE, THAT IT WILL NOT BE REPRODUCED OR DISTRIBUTED TO OTHERS, AND THAT THE INFORMATION CONTAINED THEREIN WILL NOT BE USED IN ANY MANNER DETRIMENTAL TO ICONN SYSTEMS.</p>		<p>DRAWING TITLE: i12 SALES OPTIONS</p>	
<p>SIZE B</p> <p>DO NOT SCALE THIS DRAWING</p>	<p>DRAWING SCALE: 8:1</p>	<p>DRAWING NUMBER: I12 TEMPLATE</p> <p>DRAWING TYPE: SALES SHEET: 2 OF 2</p>	

WIRING TABLE LEGEND:
N/T = NOT TERMINATED, N/C = NO CONTACT, M/C = MOLDED CLOSED