

Trumeter Remote Monitoring

A Revolutionary Ecosystem
for Plug & Play Connectivity





Monitor Everything in One Place

With Trumeter Cloud, you can see the status of your systems anywhere. Use our easy-to-use configuration software to set thresholds for alarm conditions that give you plenty of advance notice when an issue is about to occur. Plus, your data is stored securely in the Cloud and exportable at any time to inform your business decisions.

- Customizable alarm conditions and thresholds for notifications
- Unlimited email notifications, plus options to add instant text messages
- Exportable data stored securely in the Cloud



The Trumeter Cloud Dashboard

- Monitor multiple APM Gateways and Vista Touch Meters
- See real time gauge readings and data visualization
- Monitor multiple Advanced Panel Meters
- Get alerts based on customizable alarm condition
- Export your data in multiple formats

status	Name ↑	Last Update Time	Txt
ON	APM Test 2	01/07/2022,23:10:42	
ALARM	Gateway	01/07/2022,23:14:30	
ALARM	node Red Callb	01/07/2022,23:18:54	4

APM 1	APM 2	APM 3	APM 4
9.24 unit	5.63 unit	15.14 unit	6.02 unit

ALARM

Two Easy Ways to Connect:

1. IoT Gateway with any APM

The IoT Gateway makes any Advanced Panel Meter Cloud Ready with an easy 20-minute setup.

The IoT Gateway with Trumeter Cloud provides a remote monitoring solution for your APMs, with a powerful feature set in a cost effective package.

For use with the entire APM range, the IoT Gateway instantly gives you the ability to remotely monitor readings and status of your systems, as well as real-time alerts via email and SMS. The IoT Gateway is plug and play out of the box and includes a free access to the Trumeter Cloud dashboard.



2. Vista Touch Meters

All Vista Touch meters are Cloud Ready out of the box with no additional setup or gateway needed.

The revolutionary Vista Touch series panel meters have a bright, full-color HD display that's brilliantly easy to use. The graphical display offers full configurability with multiple, vibrant pre-loaded gauge options. All with an industry standard mounting to make it easy to incorporate into your systems.

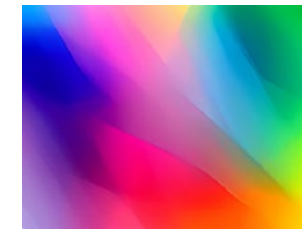


Vista Touch: Flow

The Vista Touch Flow Meter displays flow rate alongside a wide range of industrial flow sensors.

Vista Touch: Power

The Vista Touch Power Meter provides optimal power monitoring for single, split and 3 phase networks.



HD Color Display

Vibrant, full-color graphics display with dark/light mode and pre-set gauge designs to match your application.



Easy Programming

Fully configurable from the front panel with an intuitive touchscreen interface.



IoT Ready

Out-of-the-box remote monitoring on mobile and desktop with data recording and email and SMS alerts.



Built-In Connectivity

Modbus® RTU and TCP, plus 2 relay and 1 analog outputs, and 2 digital inputs.



Trumeter Cloud Plans



Anyone with an Advanced Panel Meter and IoT Gateway can try our Cloud plans for free! But you'll likely want to upgrade to one of our other plans to take advantage of monitoring multiple devices with increased data storage and communication capabilities.

Standard	Advanced	Pro Popular	Expert
Monitor a stable process with one APM	Add instant alerts for critical processes	Analyze annual data for process improvement	Scale up with virtually unlimited features
FREE FREE with annual plan	\$20/month \$220/year with annual plan	\$45/month \$495/year with annual plan	\$100/month \$1,100/year with annual plan
<ul style="list-style-type: none"> ✓ 1 Ethernet Device* ✓ 1 User ✓ 15 Min. Data Refresh ✓ 10 Days Data Storage ✓ Unlimited Emails ✗ Texts ✗ International Texts 	<ul style="list-style-type: none"> ✓ 5 Ethernet Devices* ✓ 3 Users ✓ 1 Min. Data Refresh ✓ 45 Days Data Storage ✓ Unlimited Emails ✓ 30 Texts / Month ✗ International Texts 	<ul style="list-style-type: none"> ✓ 10 Ethernet Devices* ✓ 5 Users ✓ 30 Sec. Data Refresh ✓ 1 Year Data Storage ✓ Unlimited Emails ✓ 100 Texts / Month ✓ International Texts 	<ul style="list-style-type: none"> ✓ 100 Ethernet Devices* ✓ 100 Users ✓ 15 Sec. Data Refresh ✓ Unlimited Data Storage ✓ Unlimited Emails ✓ Unlimited Texts ✓ International Texts

* Ethernet Device includes IoT Gateway or ethernet enabled APM or Vista Touch.
 Additional Ethernet Devices: \$3 / month.
 Additional Cellular Gateways: \$5 / month.

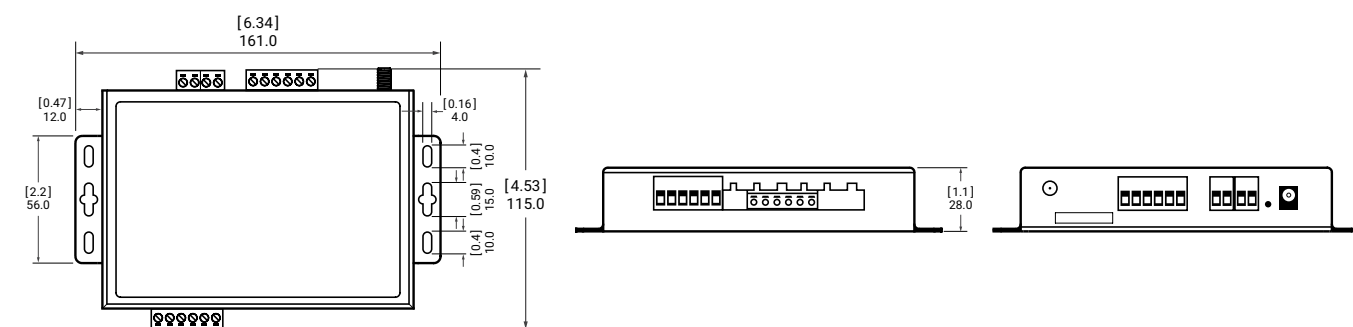
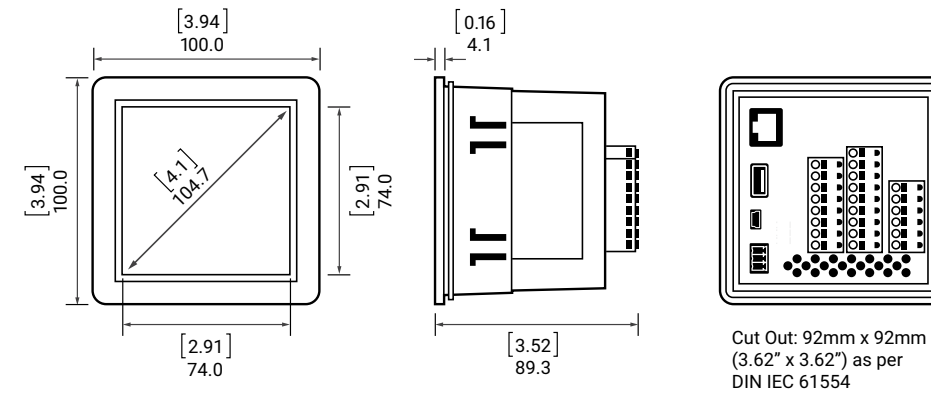
Don't see a plan that's right for you?

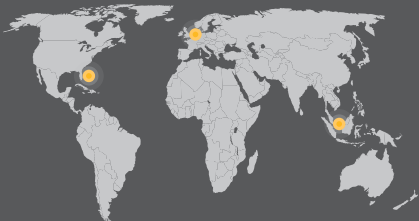
Just ask! We're happy to build a custom plan just for you. Contact our sales team and someone will be in touch to discuss your business and needs for IoT and Trumeter Cloud.



Vista Touch Meters Specifications

Model	Input Type	Accuracy	IoT Plug & Play	Platform	Touchscreen	Communication	Mass Storage	Relay Output	Excitation Voltage	Analog Output	Power Supply Options
Vista Touch Flow	-10 - 10V DC	0.1% of full scale	Yes	Trumeter Cloud	Yes	RS485 TCP-IP (Ethernet)	USB	2 x Form C relay 277V AC / 5A Max 30V DC / 5A Max	24V DC	4 - 20 mA	High Voltage: 100 - 277V AC 50/60Hz 10W Low Voltage: 12 - 24V AC/DC 50/60Hz 10W
	-50 - 50mA	-10 - 10V DC									
	Logic 0 = 0 - 0.6V DC	-10 - 10V DC									
	Logic 1 = 2.5 - 24V DC	-10 - 10V DC									
Vista Touch Power	45 - 65 Hz	1% (THD 5%) of full scale	Yes	Trumeter Cloud	Yes	RS485 TCP-IP (Ethernet)	USB	2 x Form C relay 277V AC / 5A Max 30V DC / 5A Max	N/A	4 - 20 mA	High Voltage: 100 - 277V AC 50/60Hz 10W Low Voltage: 12 - 24V AC/DC 50/60Hz 10W
	L-L 0 - 600V AC										
	L-N 10 - 300V AC										
	0 - 5A (single phase in Neutral line only)										





Trumeter (The Americas)

6601 Lyons Road
 Suite H-7
 Coconut Creek, FL 33073
 USA
 Tel: +1 954 725 6699
 Email: sales.usa@trumeter.com

Trumeter (Europe)

Pilot Mill
 Alfred Street
 Bury
 BL9 9JR
 Tel: +44 161 674 0960
 Email: sales.uk@trumeter.com

Innovative Design Technologies Sdn. Bhd

Lot 5881, Lorong Iks Bukit Minyak 1
 Taman Perindustrian Iks, 14000 Bukit Tengah
 Penang, Malaysia
 Web: www.idtworld.com
 Tel: + 604 5015700
 Email: sales.my@idtworld.com

www.trumeter.com

