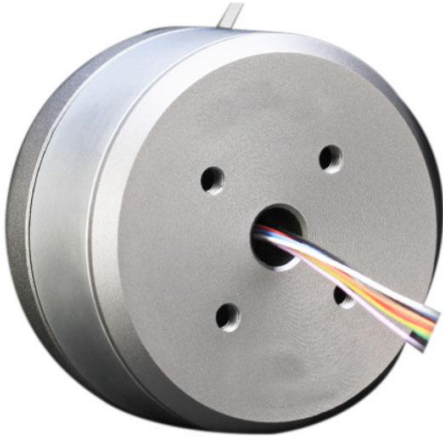


CONTENTS 目录

1. Φ 041 系列	page1-2
2. Φ 042 系列	page3-4
3. Φ 046 系列	page5-6
4. Φ 049 系列	page7-8
5. Φ 054 系列	page9-10
6. Φ 060 系列	page11-12
7. Φ 069 系列	page13-14
8. Φ 077 系列	page15-16
9. Φ 080 系列	page17-18
10. Φ 087 系列	page19-20

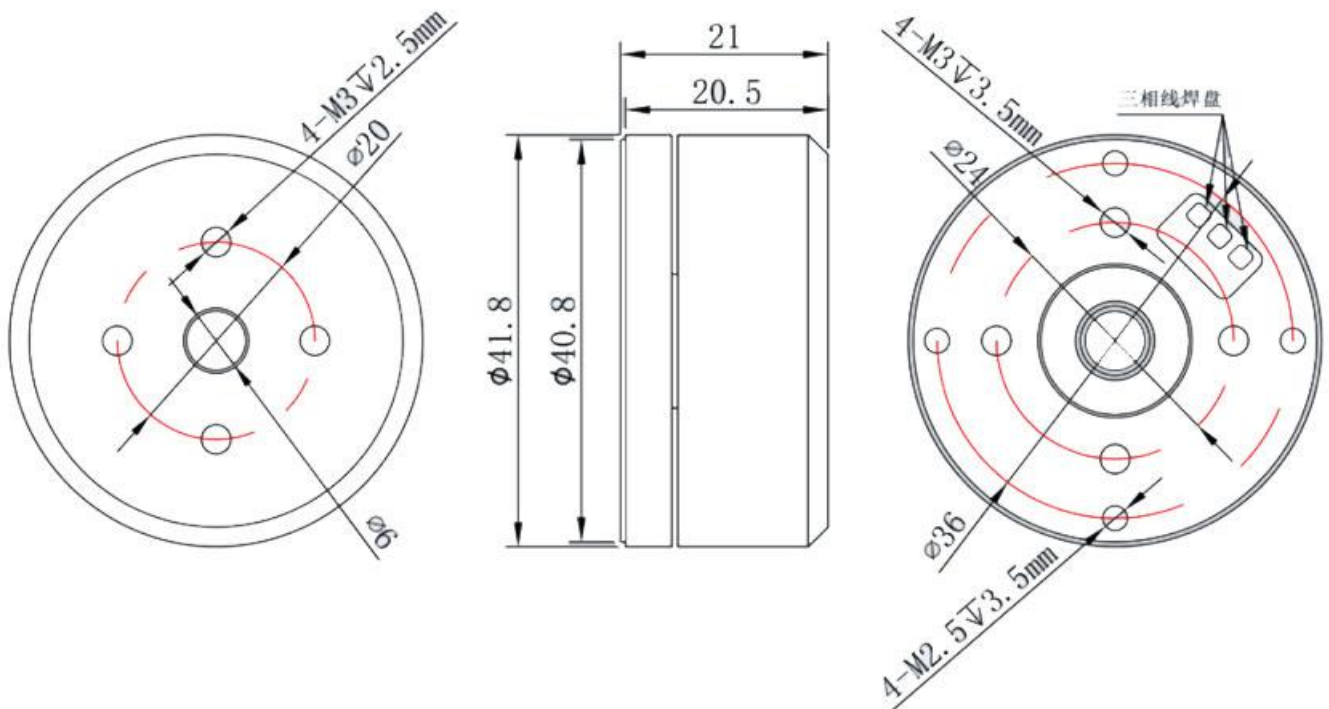
41mm Series BLDC Motor

General Specifications



Item	Specifications
Resistance/Line	3.5 Ω
Inductance/Line	2.1 mH
KV	KV100
Torque constant	0.15 Nm/A
Rotor inertia	61 g/cm ²
IP Class	IP45
Magnet temperature resistance class	H 180° C

Dimensions



41mm Series BLDC Motor

Technical Specifications

Item	M016BE0150-41-21
Number of poles	12N14P
Voltage (VDC)	16
Rated Current (A)	1.45
Rated Torque (N·m)	0.15
Rated speed (rpm)	900
Peak Current (A)	4.5
Peak Torque (N·m)	0.46
Body Length (mm)	21
Weight (g)	90

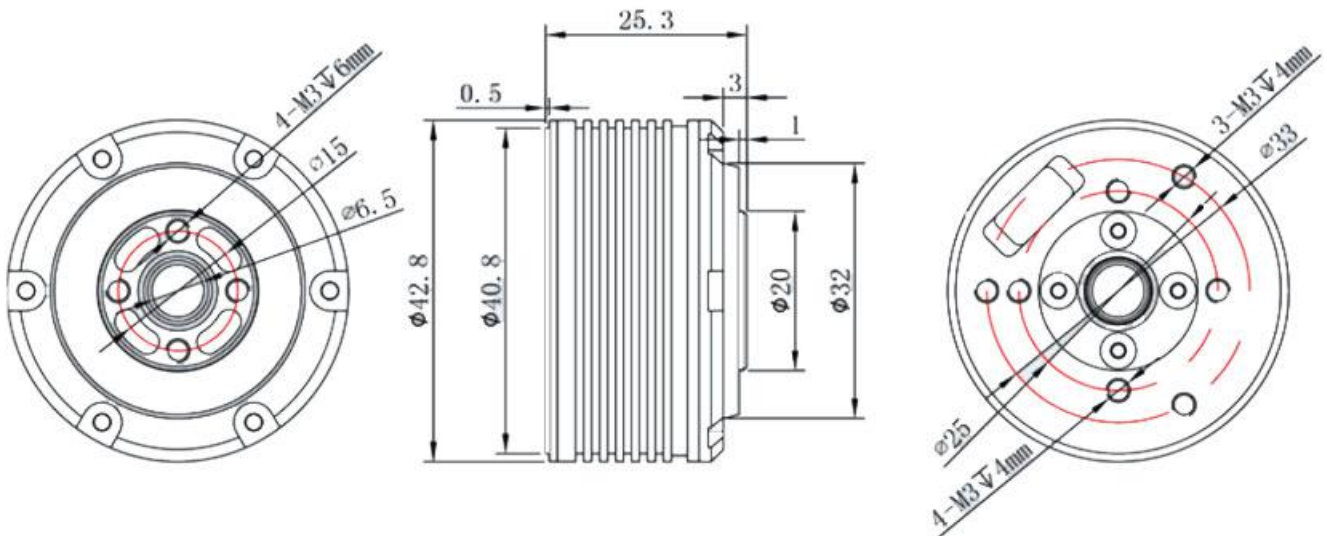
42mm Series BLDC Motor

General Specifications



Item	Specifications
Resistance/Line	1.53 Ω
Inductance/Line	0.33 μH
Speed constant	290 rpm/V
Torque constant	0.33 Nm/A
Rotor inertia	24.2 g/cm ²

Dimensions



42mm Series BLDC Motor

Technical Specifications

Item	M012BI0080-42-25
Number of Poles	7
Voltage (VDC)	12
Rated Current (A)	2.3
Rated Torque (N·m)	0.08
Rated speed (rpm)	2200
Max. no-load speed(rpm)	3480
Peak Torque (N·m)	0.28
Peak Current (A)	8.5
Body Length (mm)	25
Weight (g)	83

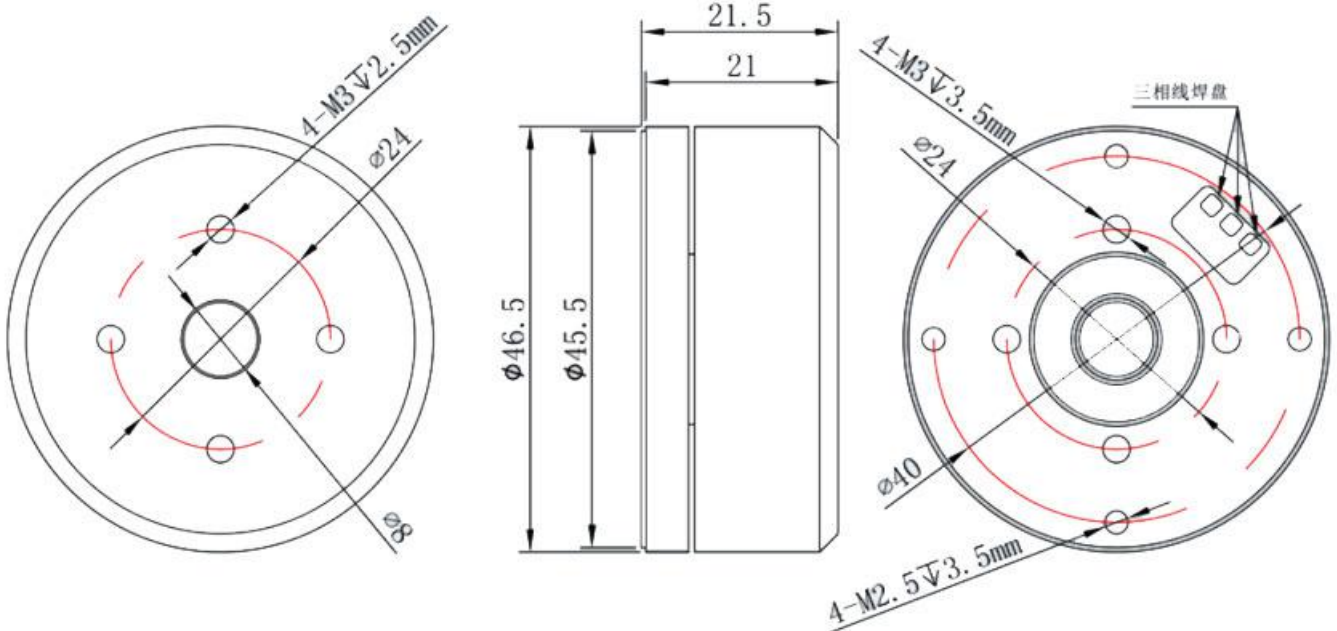
46mm Series BLDC Motor

General Specifications



Item	Specifications
Resistance/Line	4.5 Ω
Inductance/Line	1.8 mH
KV	KV70
Torque constant	0.14 Nm/A
Rotor inertia	74 g/cm ²
IP Class	IP45
Magnet temperature resistance class	H 180° C

Dimensions



46mm Series BLDC Motor

Technical Specifications

Item	M016BE0250-46-21
Number of poles	24N28P
Voltage (VDC)	16
Rated Current (A)	1.65
Rated Torque (N·m)	0.25
Rated speed (rpm)	600
Peak Current (A)	5
Peak Torque (N·m)	0.73
Body Length (mm)	21
Weight (g)	107

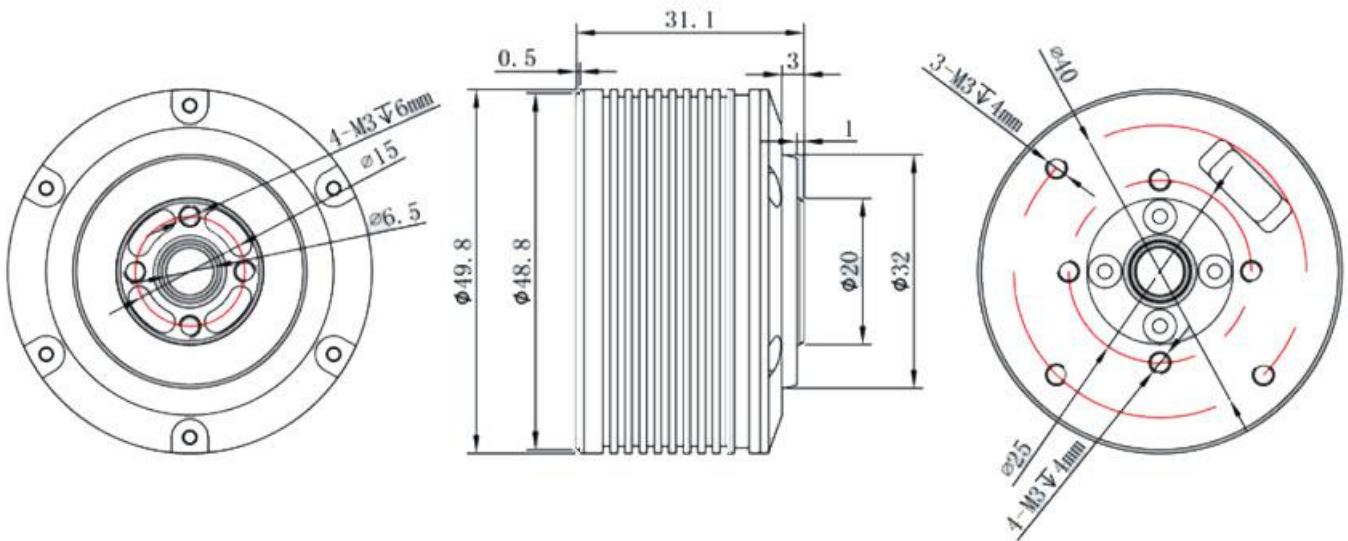
49mm Series BLDC Motor

General Specifications



Item	Specifications
Resistance/Line	1.53 Ω
Inductance/Line	2.1 μH
Speed constant	100 rpm/V
Torque constant	0.1 Nm/A
Rotor inertia	61 g/cm ²

Dimensions



49mm Series BLDC Motor

Technical Specifications

Item	M016BI0150-49-31
Number of Poles	7
Voltage (VDC)	16
Rated Current (A)	1.45
Rated Torque (N·m)	0.15
Rated speed (rpm)	900
Max. no-load speed(rpm)	1500
Peak Torque (N·m)	0.46
Peak Current (A)	4.5
Body Length (mm)	31
Weight (g)	83

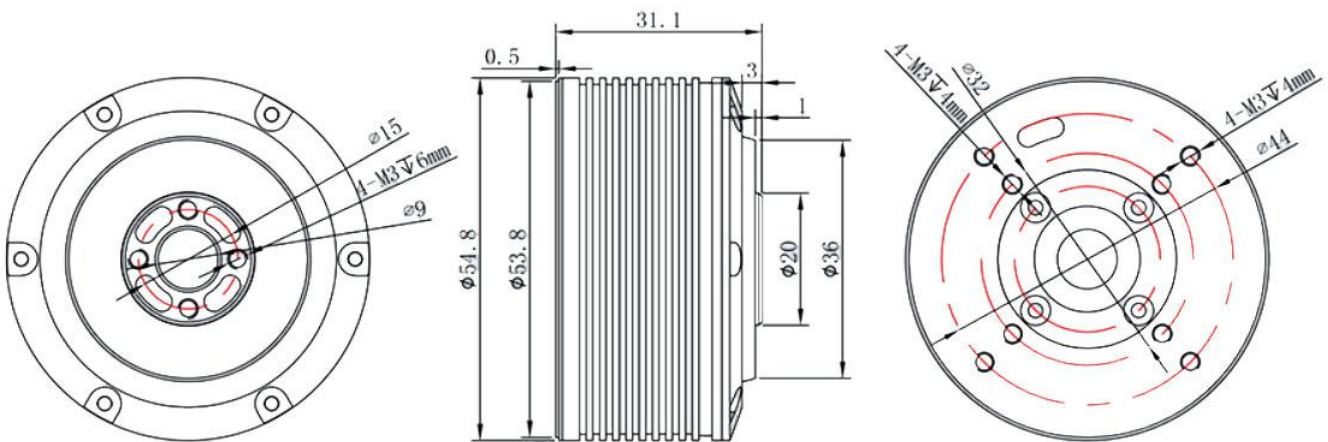
54mm Series BLDC Motor

General Specifications



Item	Specifications
Resistance/Line	3.6 Ω
Inductance/Line	1.8 uH
Speed constant	70 rpm/V
Torque constant	0.14 Nm/A
Rotor inertia	74 g/cm ²

Dimensions



54mm Series BLDC Motor

Technical Specifications

Item	M016BI0250-54-31
Number of Poles	14
Voltage (VDC)	16
Rated Current (A)	1.65
Rated Torque (N·m)	0.25
Rated speed (rpm)	600
Max. no-load speed(rpm)	1050
Peak Torque (N·m)	0.73
Peak Current (A)	5
Body Length (mm)	31
Weight (g)	183

60mm Servo Motor



Compact structure:

The product integrates servo driver and low-voltage servo motor into one, which is smaller in size and saves equipment installation space.

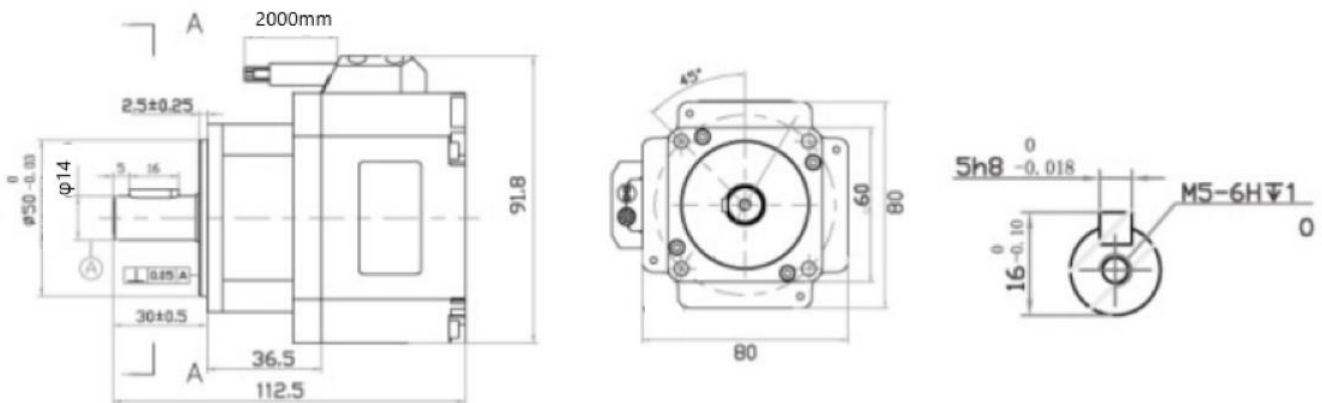
High reliability:

Eliminate the connection line between motor and driver, reduce equipment failure caused by connection problems, and reduce equipment failure rate.

Lower cost:

Save connection cables, effectively reducing equipment costs.

Dimensions



60mm Servo Motor

Product Features	
Rated voltage	DC24V/DC48
Protection class	IP20
Rated output power	200W/400W
Operating temperature	0-40°C
Rated torque	0.637/1.274 N.m
Rated speed	3000 rpm
Rated input current	10 A
Working Environment	The rated working altitude is below 1000m, when the working altitude is above 1000m, for every 100m rise, 1.5% reduction should be used. Maximum working altitude 4000m.
Life	> 5,000h
Control method	Torque command, speed command, position command
Communication method	RS485、CAN
I0/AD/PWM	3/1/1
Protection function	Overvoltage, undervoltage, overcurrent, overload, blocking, phase loss

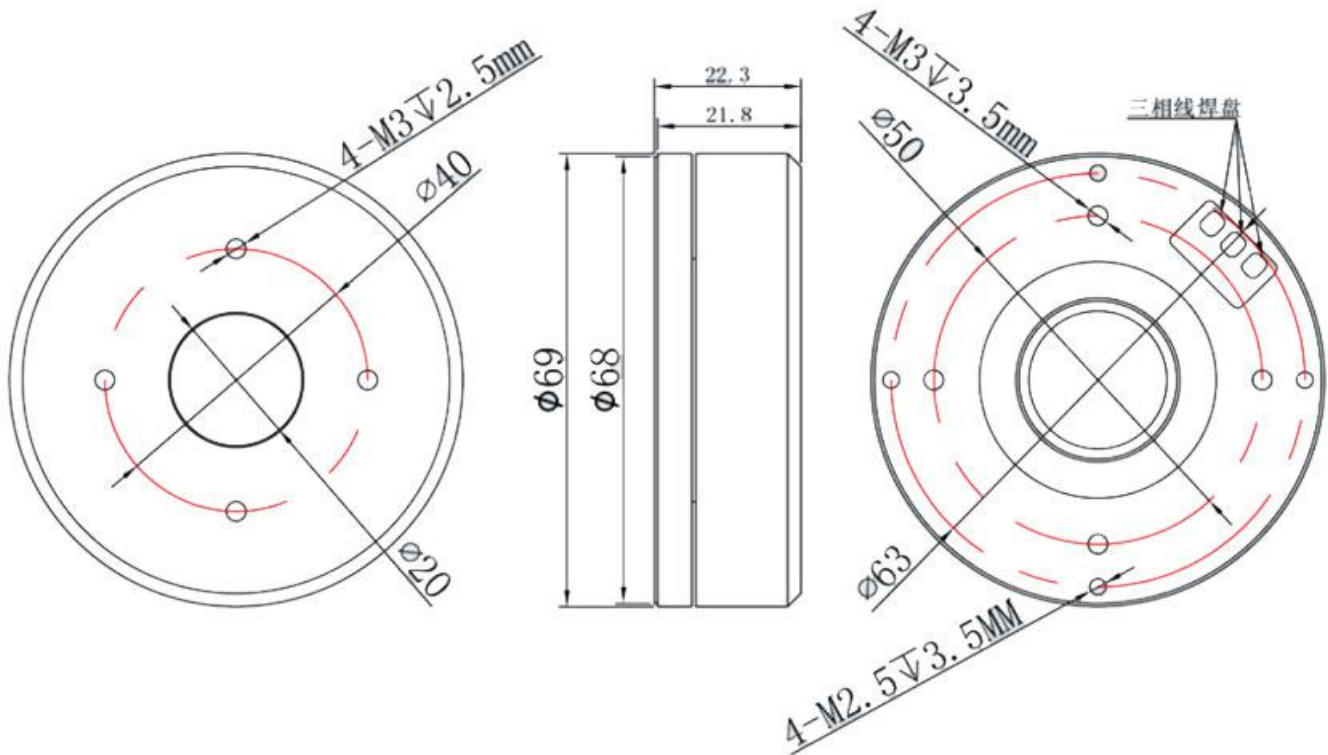
69mm Series BLDC Motor

General Specifications



Item	Specifications
Resistance/Line	5.5 Ω
Inductance/Line	2.72 mH
KV	KV25
Torque constant	0.4 Nm/A
Rotor inertia	355 g/cm ²
IP Class	IP45
Magnet temperature resistance class	E 180° C

Dimensions



69mm Series BLDC Motor

Technical Specifications

Item	M024BE0600-69-22
Number of poles	24N28P
Voltage (VDC)	24
Rated Current (A)	1.43
Rated Torque (N·m)	0.6
Rated speed (rpm)	350
Peak Current (A)	4.2
Peak Torque (N·m)	1.75
Body Length (mm)	22
Weight (g)	230

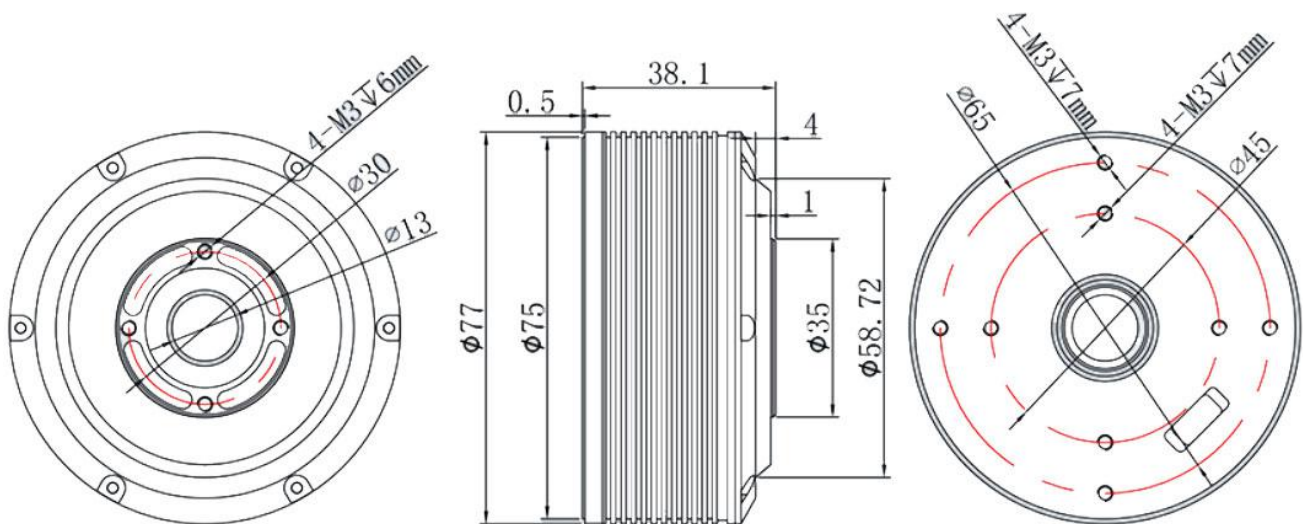
77mm Series BLDC Motor

General Specifications



Item	Specifications
Resistance/Line	1.1 Ω
Inductance/Line	0.9 μH
Speed constant	55 rpm/V
Torque constant	0.188 Nm/A
Rotor inertia	355 g/cm ²

Dimensions

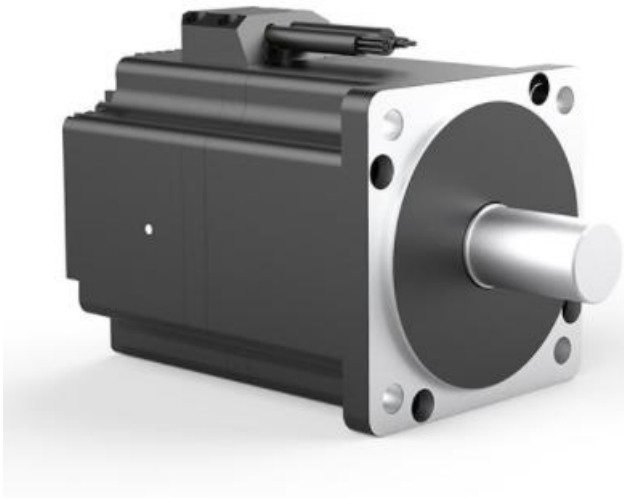


77mm Series BLDC Motor

Technical Specifications

Item	M024BI0600-77-38
Number of Poles	14
Voltage (VDC)	24
Rated Current (A)	3.1
Rated Torque (N·m)	0.6
Rated speed (rpm)	850
Max. no-load speed(rpm)	1150
Peak Torque (N·m)	1.75
Peak Current (A)	9.5
Body Length (mm)	38
Weight (g)	364

80mm Servo Motor



Compact structure:

The product integrates servo driver and low-voltage servo motor into one, which is smaller in size and saves equipment installation space.

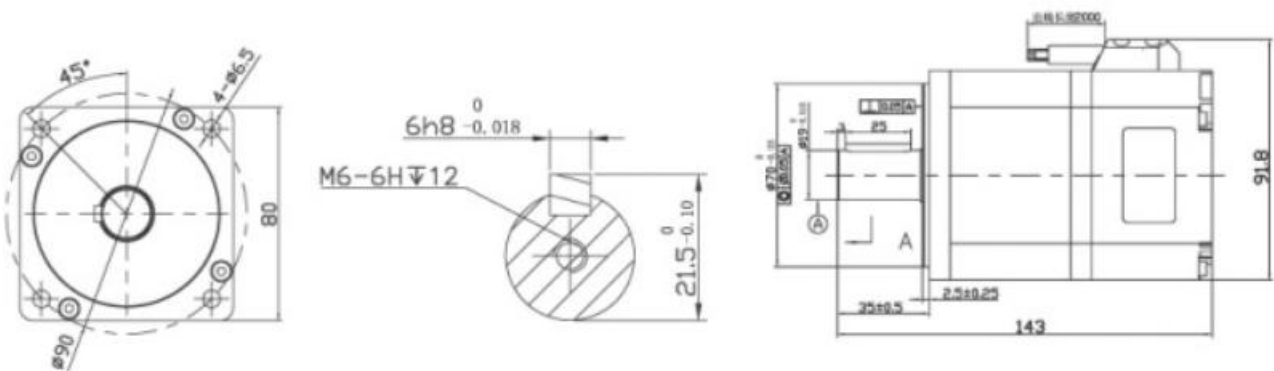
High reliability:

Eliminate the connection line between motor and driver, reduce equipment failure caused by connection problems, and reduce equipment failure rate.

Lower cost:

Save connection cables, effectively reducing equipment costs.

Dimensions



80mm Servo Motor

Product Features	
Rated voltage	DC24V/DC48
Protection class	IP20
Rated output power	200W/400W
Operating temperature	0-40°C
Rated torque	0.637/1.274 N.m
Rated speed	3000 rpm
Rated input current	10 A
Working Environment	The rated working altitude is below 1000m, when the working altitude is above 1000m, for every 100m rise, 1.5% reduction should be used. Maximum working altitude 4000m.
Life	> 5,000h
Control method	Torque command, speed command, position command
Communication method	RS485、CAN
I0/AD/PWM	3/1/1
Protection function	Overvoltage, undervoltage, overcurrent, overload, blocking, phase loss

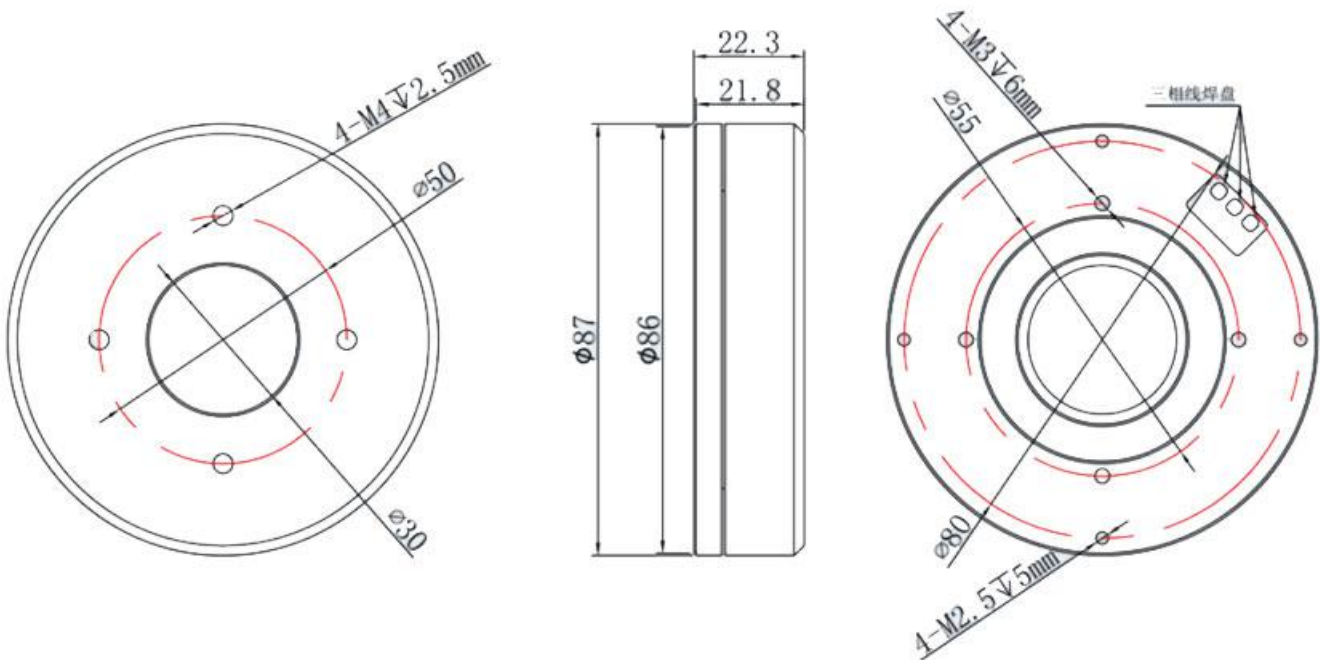
87mm Series BLDC Motor

General Specifications



Item	Specifications
Resistance/Line	1.8 Ω
Inductance/Line	1.1 mH
KV	KV30
Torque constant	0.17 Nm/A
Rotor inertia	650 g/cm ²
IP Class	IP45
Magnet temperature resistance class	E 150° C

Dimensions



87mm Series BLDC Motor

Technical Specifications

Item	M024BE1000-87-22
Number of poles	36N42P
Voltage (VDC)	24
Rated Current (A)	2.8
Rated Torque (N·m)	1
Rated speed (rpm)	450
Peak Current (A)	8.3
Peak Torque (N·m)	2.9
Body Length (mm)	22
Weight (g)	315