

Roll Motor

CONTENTS

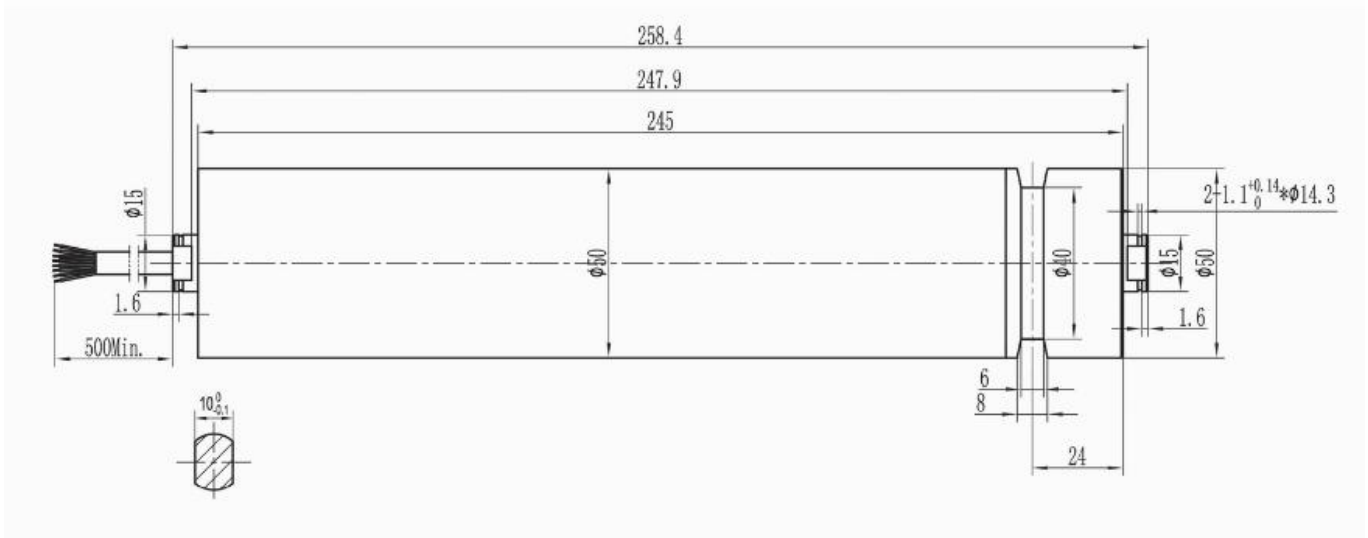
- Roll motor
- 1. Φ50 系列 page1-2
- 2. Φ67 系列 page3-6

50mm BLDC ROLLER Motor



Type	M048BI0720-50-245
Nominal Voltage (VDC)	48
Rated Speed (RPM)	1800
Rated Current (A)	3.5
Rated Torque (N·m)	0.72
Output Power (W)	135
Resistance (ohms)	1.8
Torque Constant (N·m/A)	0.19
Back EMF (V/KRPM)	20.0
Body Length (mm)	245
Weight (kg)	2.2

Dimensions



50mm BLDC ROLLER Motor

Wires spec.

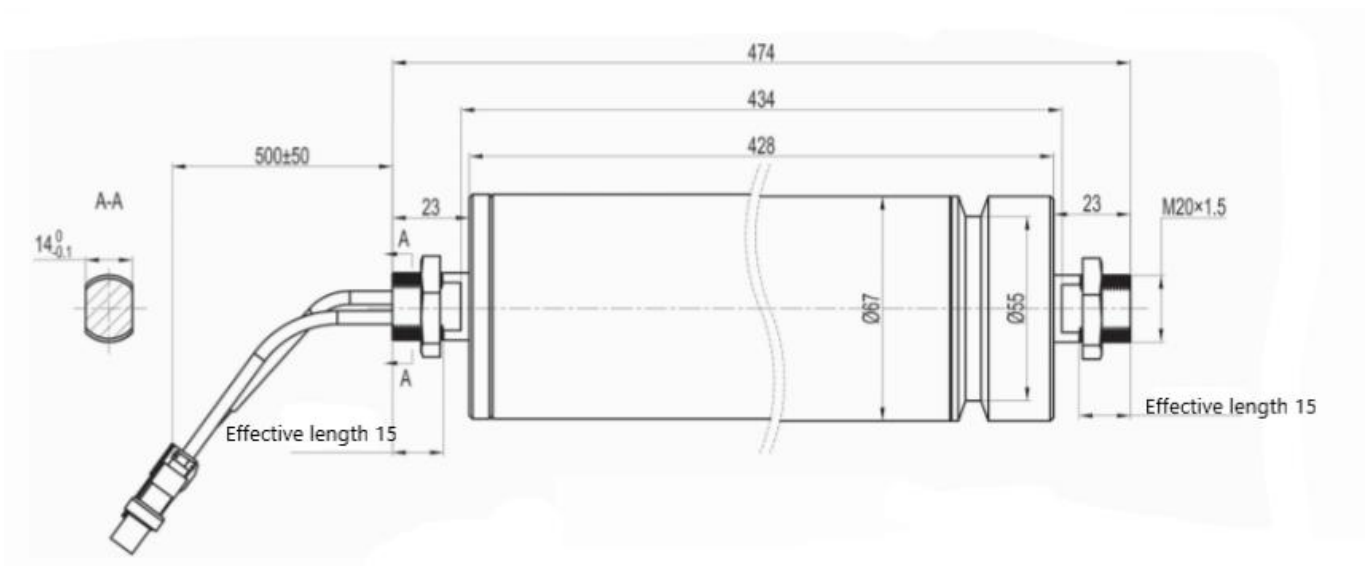
Colour	Function	Rule
Red	+5V	20AWG UL1330
Yellow	Hu	
Green	Hv	
Blue	Hw	
Black	GND	
Yellow	U	
Red	V	
Black	W	

67mm BLDC ROLLER Motor



Type	M048BI5000-67-428-1
Nominal Voltage (VDC)	48
Rated Speed (RPM)	800
Rated Current (A)	21.0
Rated Torque (N·m)	5.0
Output Power (W)	500
Resistance (ohms)	0.7
Torque Constant (N·m/A)	0.24
Back EMF (V/KRPM)	25.0
Body Length (mm)	428
Weight (kg)	5.2

Dimensions

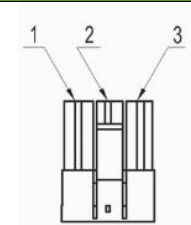


67mm BLDC ROLLER Motor

Hall Wires definition.

PIN	Colour	Function	Rule
1	Blue	C	
2	Green	B	
3	Yellow	A	
4	Black	+5V	
5	Red	GND	

Motor Wires definition.

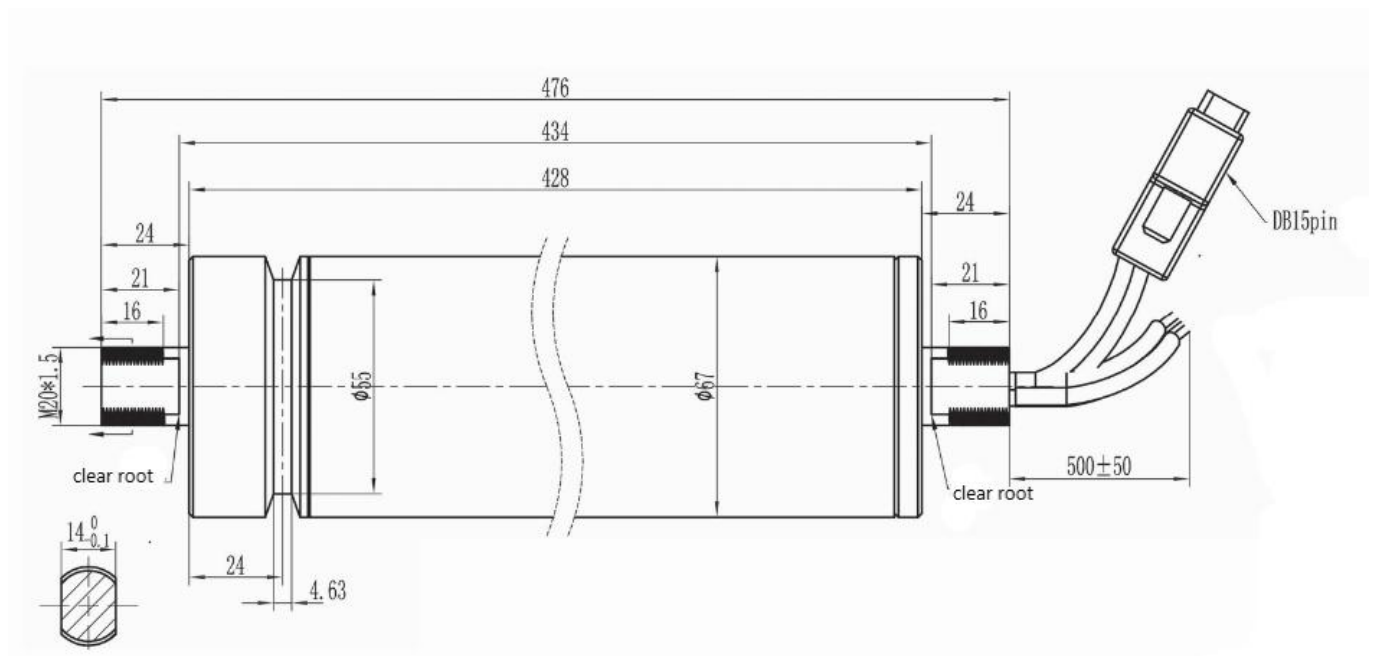
PIN	Colour	Function	Rule
1	Yellow	U	
2	Green	V	
3	Blue	W	

67mm SERVO ROLLER Motor



Type	M048BI5000-67-428-2
Nominal Voltage (VDC)	48
Rated Speed (RPM)	800
Rated Current (A)	21.0
Rated Torque (N·m)	5.0
Output Power (W)	500
Resistance (ohms)	0.7
Torque Constant (N·m/A)	0.24
Back EMF (V/KRPM)	25.0
Body Length (mm)	428
Weight (kg)	5.2

Dimensions



67mm SERVO ROLLER Motor

Hall Wires definition.

PIN	Colour	Function
1	Red	DC+5V
2	Blue	A
3	Green	B
4	Yellow	Z
5	Brown	U
6	Grey	V
7	White	W
8	NC	Shield
9	Black	GND
10	Blue/Black	— A
11	Green/Black	— B
12	Yellow/Black	— Z
13	Brown/Black	— U
14	Grey/Black	— V
15	White/Black	— W

Motor Wires definition.

PIN	Colour	Function	Rule
1	Yellow	U	16AWG UL1330
2	Blue	V	
3	Green	W	